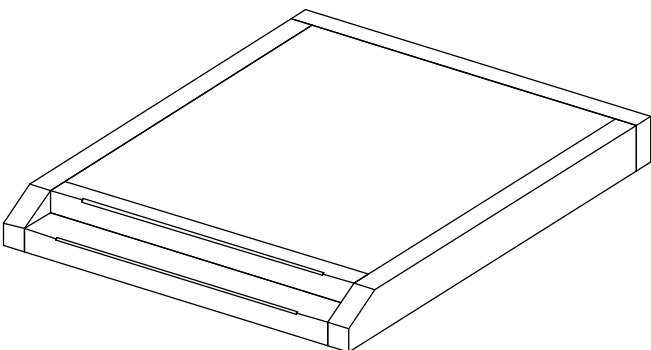
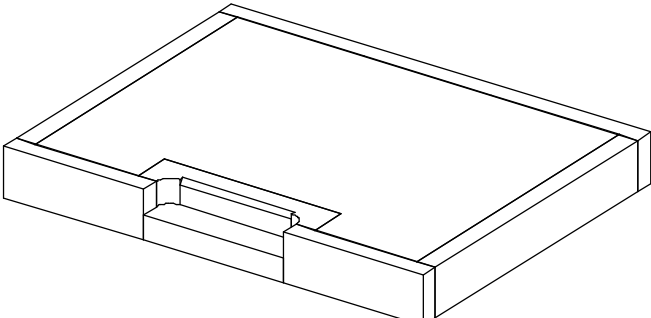


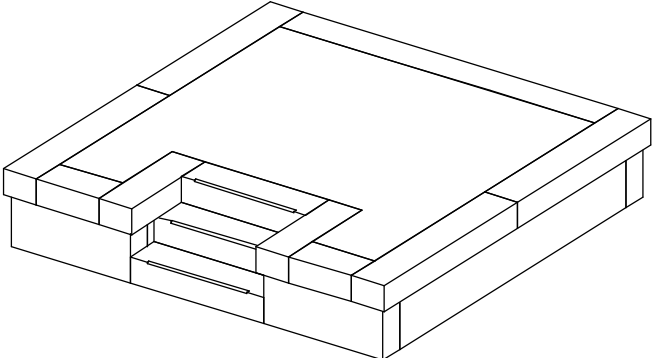
DM1



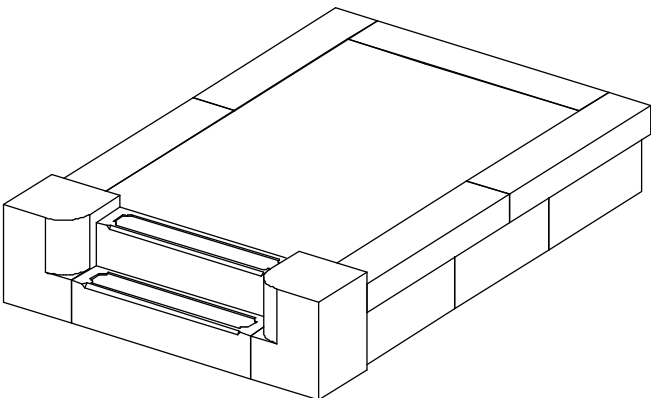
DM2



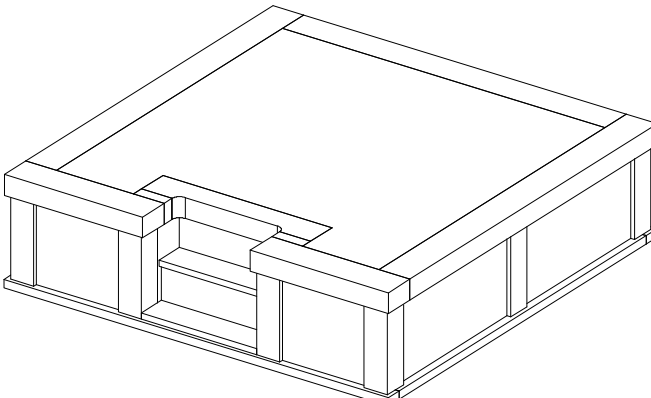
DM3



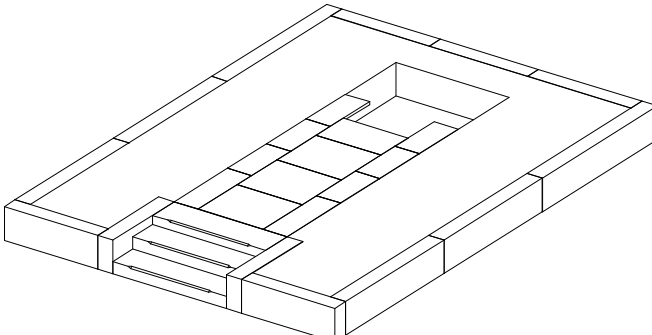
DM4



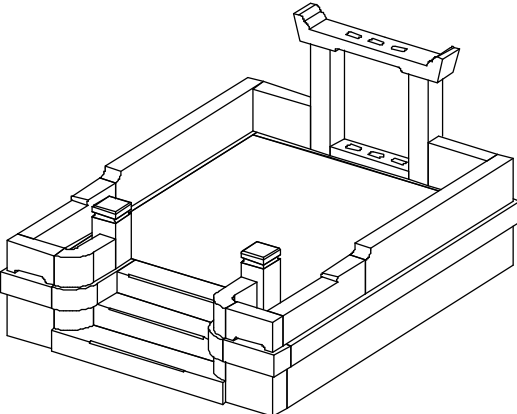
DM5



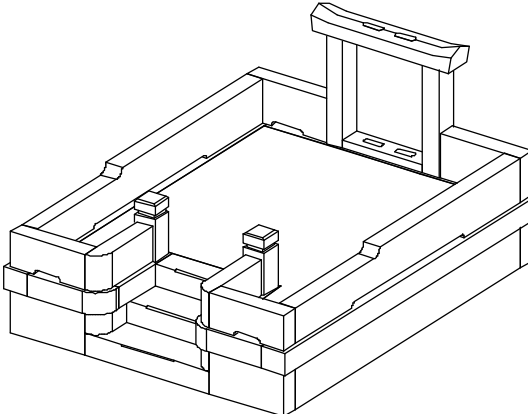
DM6



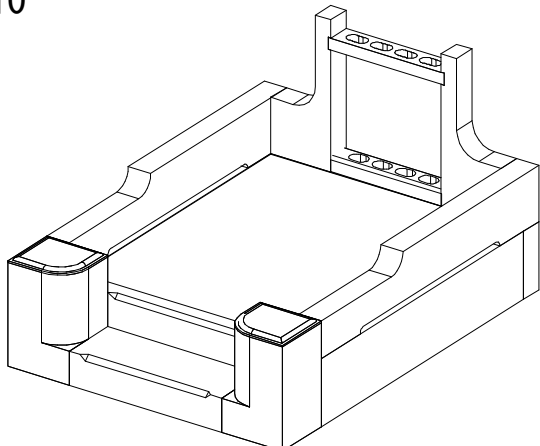
KB1



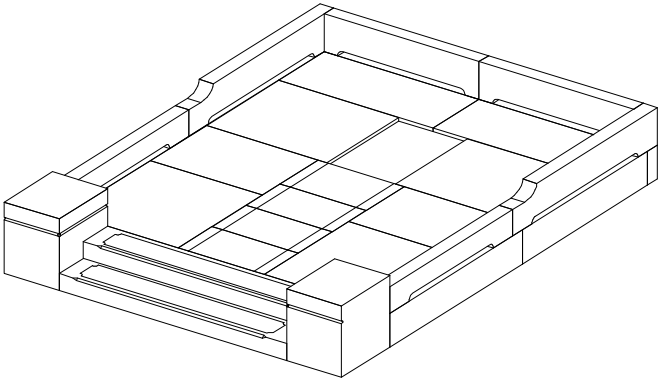
KB2



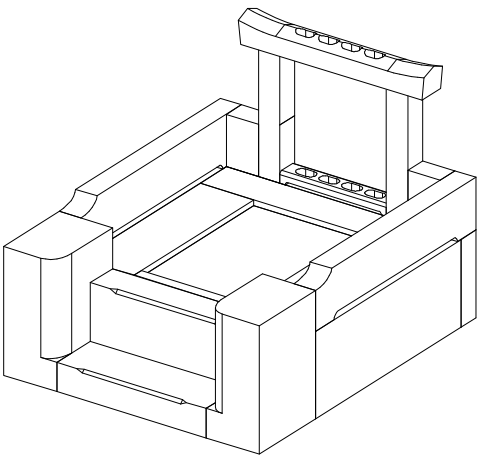
KNS-10



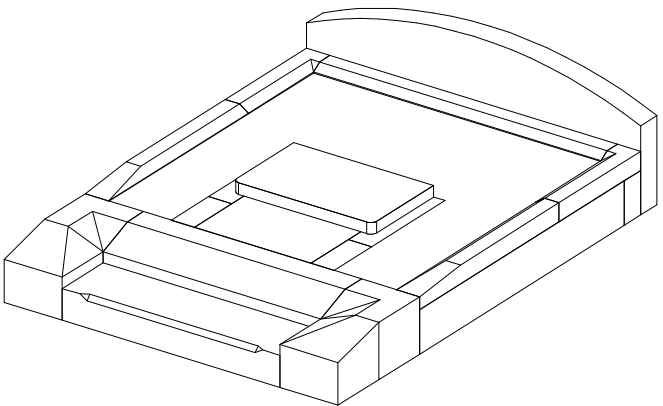
KNS-11



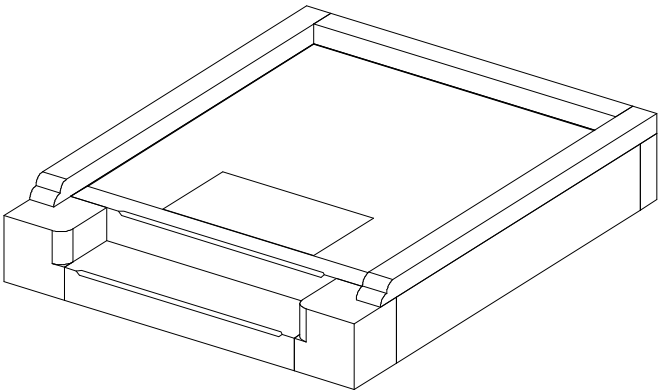
KNS-12



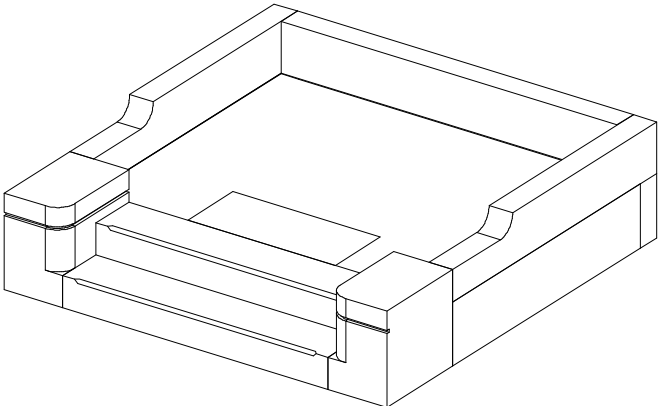
KNS-26



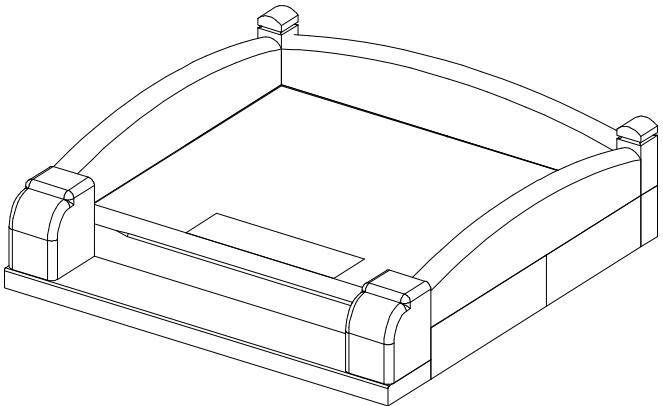
KNS-6



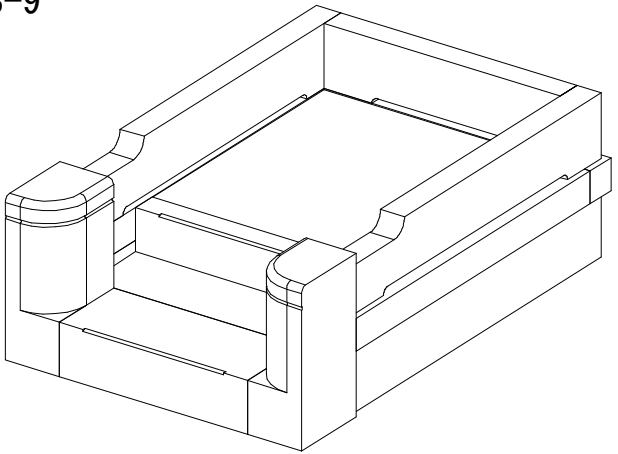
KNS-7



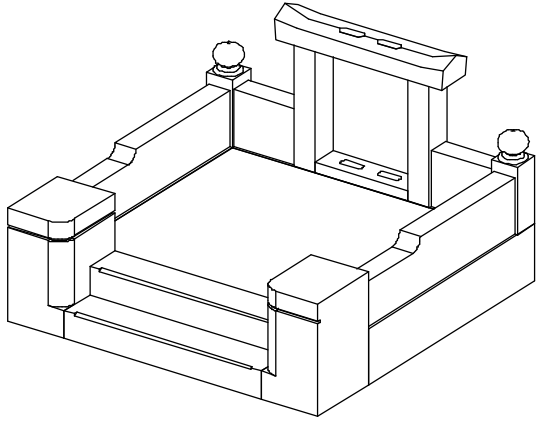
KNS-8



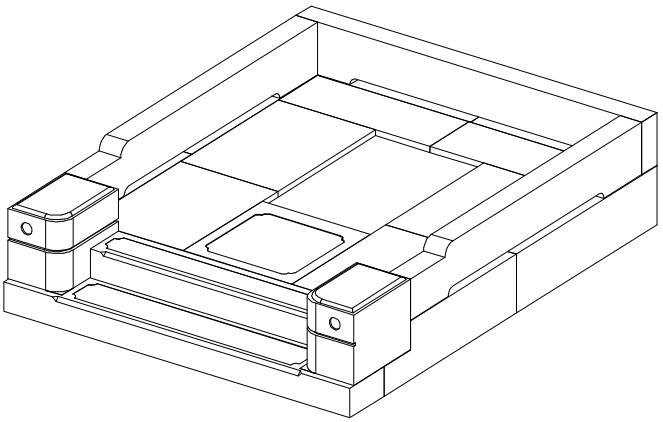
KNS-9



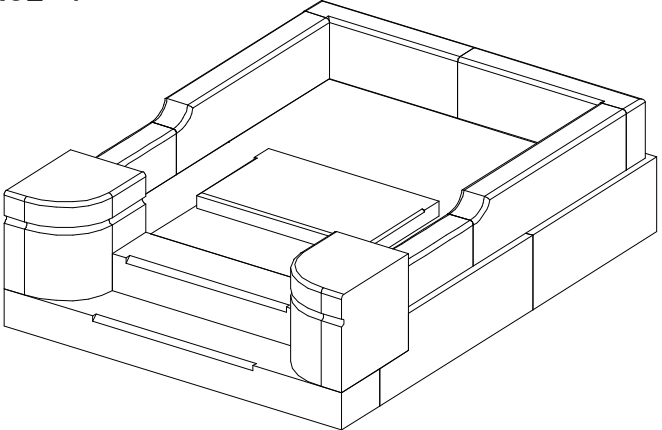
KNS2-2



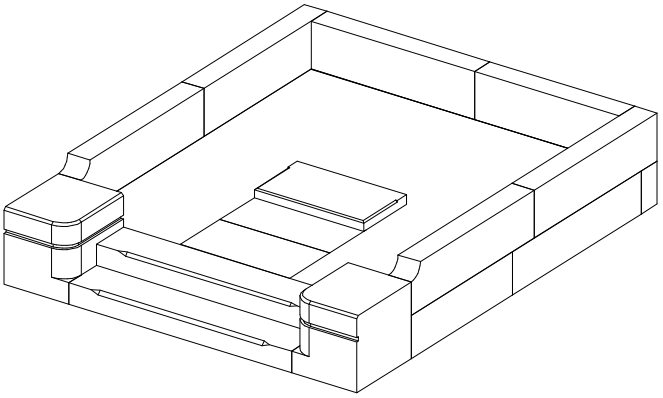
KNS2-3



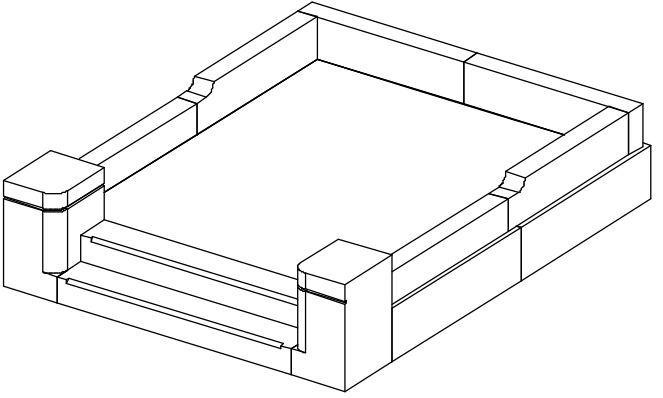
KNS2-4



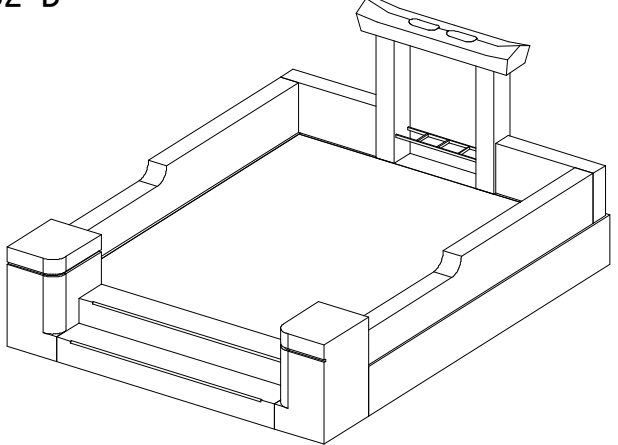
KNS2-5



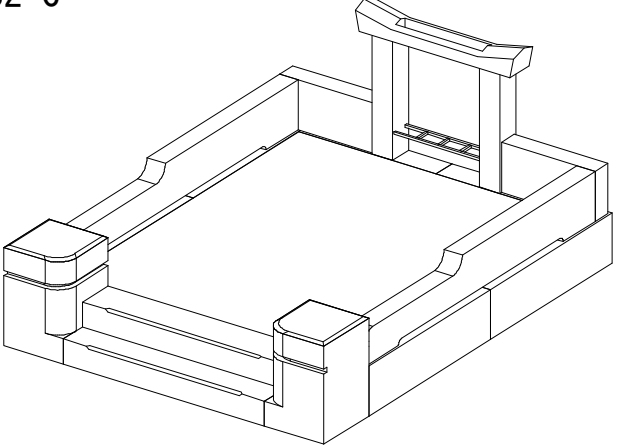
KNS2-A



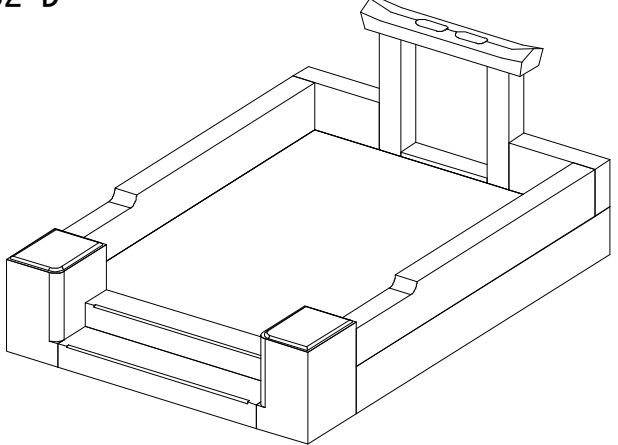
KNS2-B



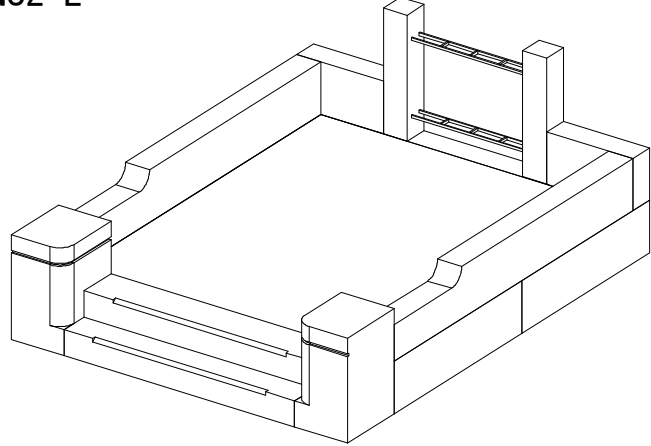
KNS2-C



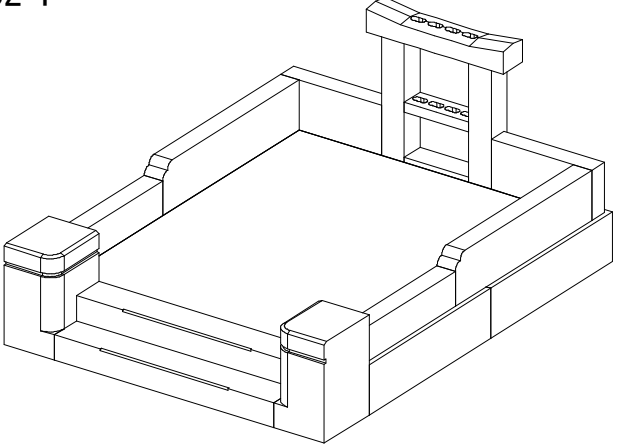
KNS2-D



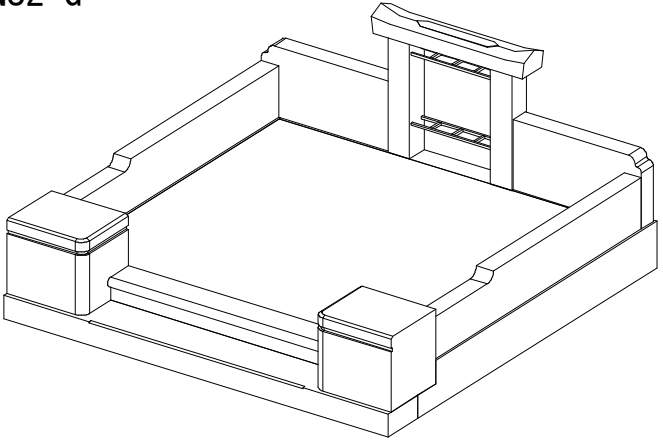
KNS2-E



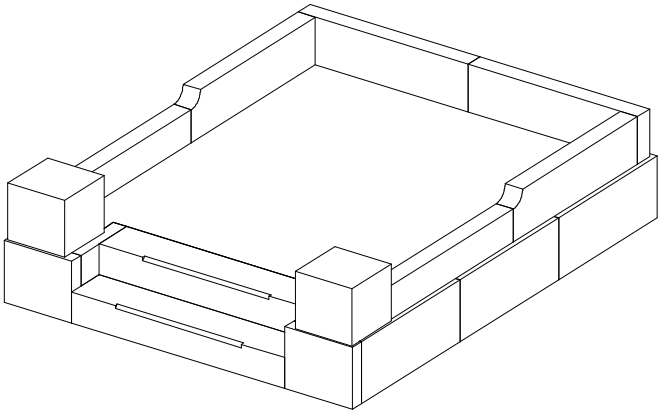
KNS2-F



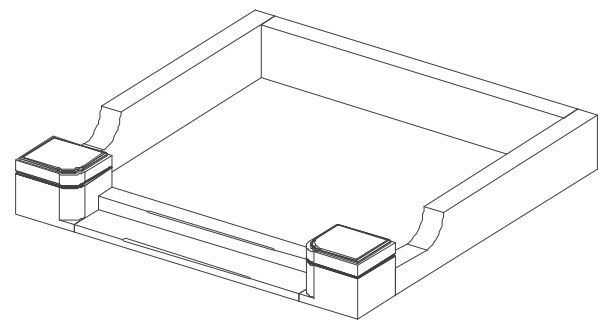
KNS2-G



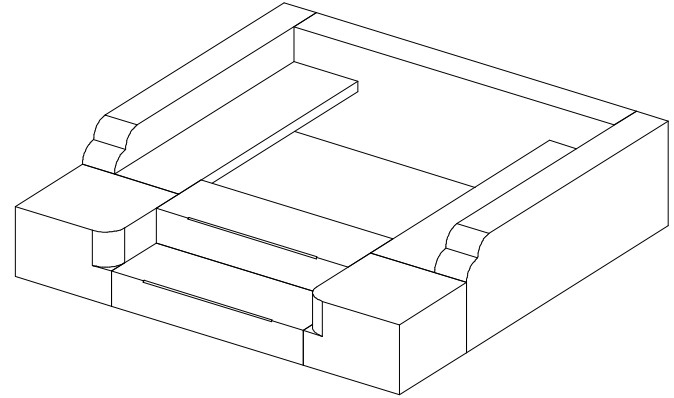
KNS2-H



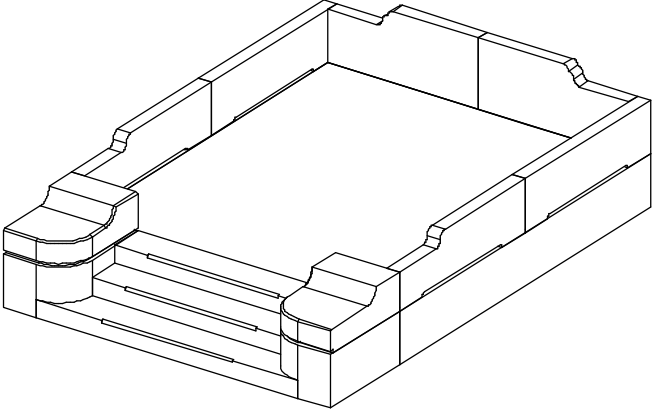
KNS2-I



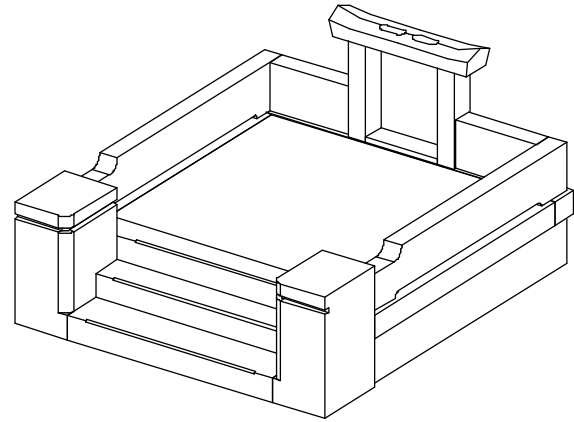
KNS2-J



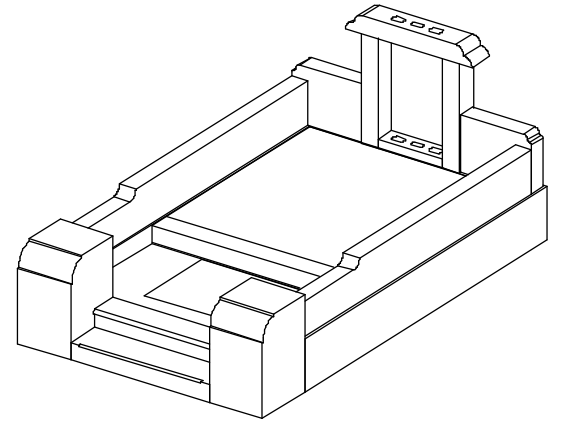
KNS3-A



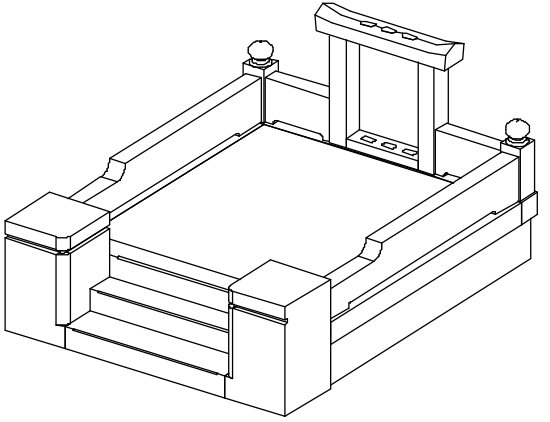
KNS3-B



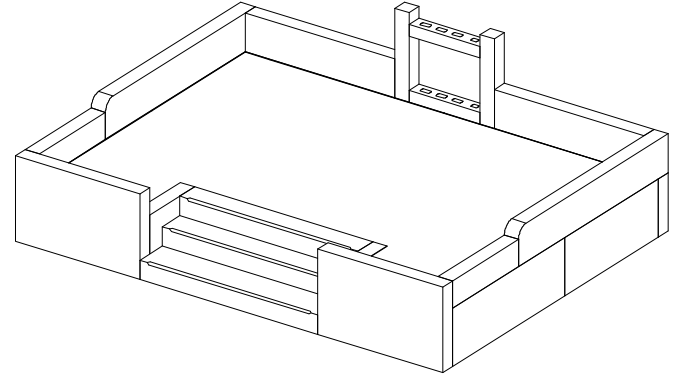
KNS3-C



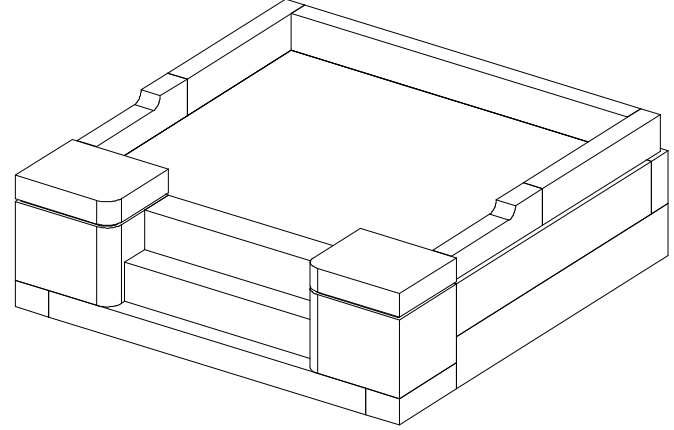
KNS3-D



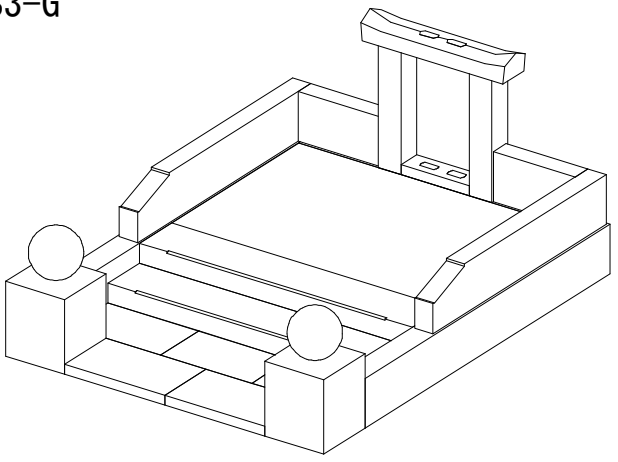
KNS3-E



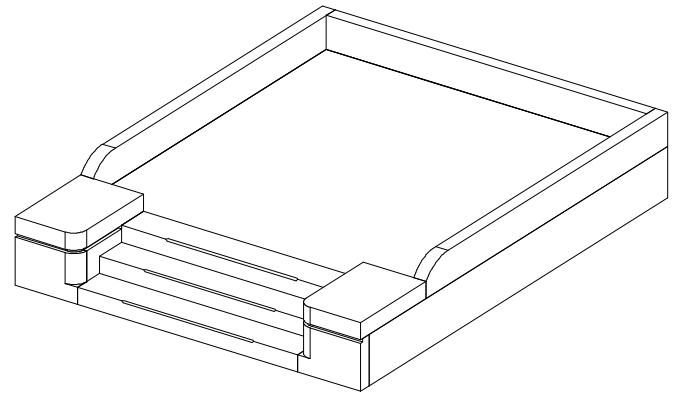
KNS3-F



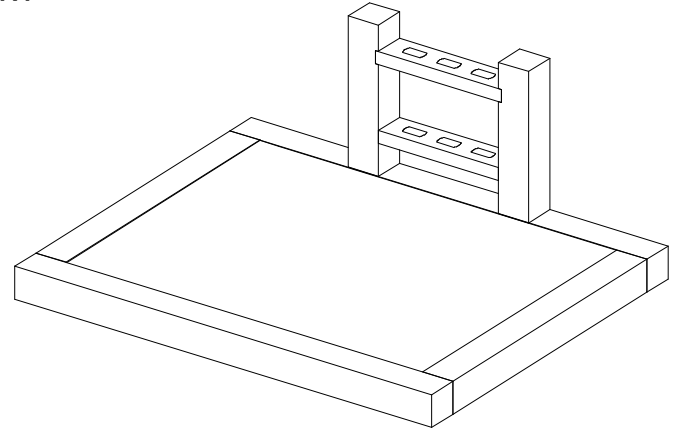
KNS3-G



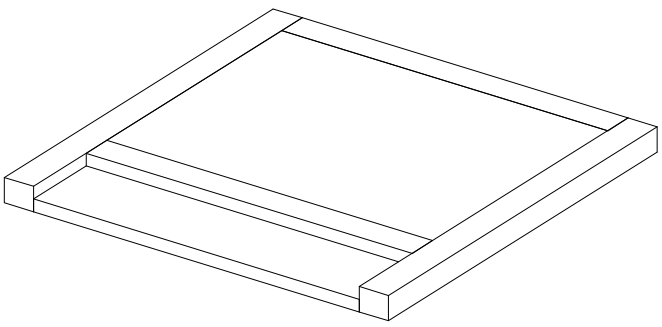
KNS3-H



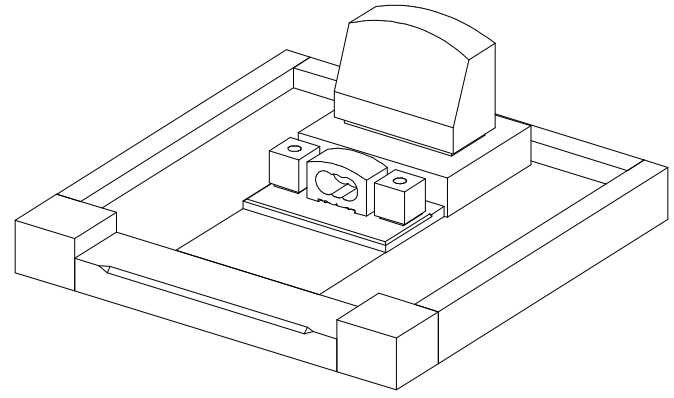
MK1



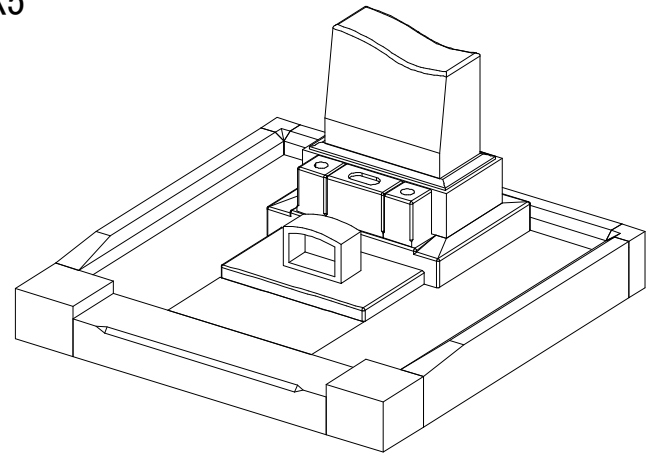
MK2



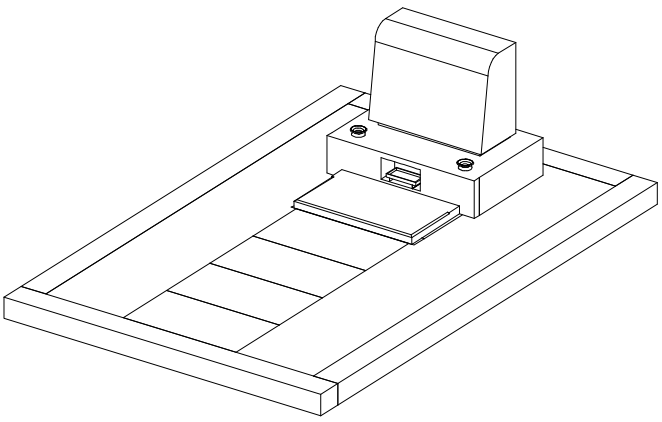
MK4



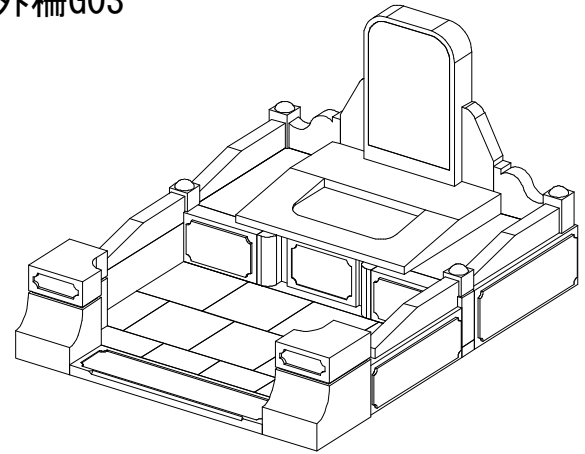
MK5



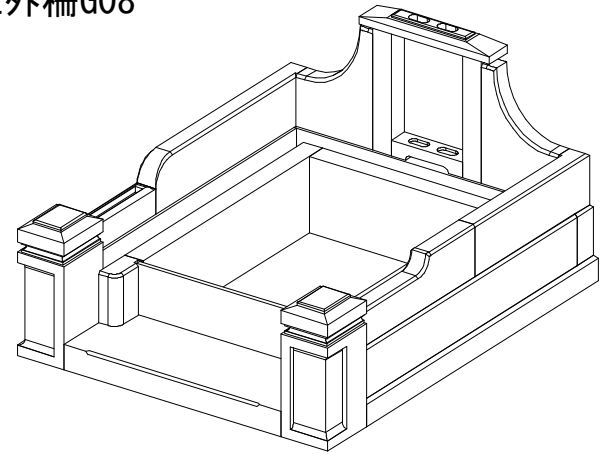
MK 3



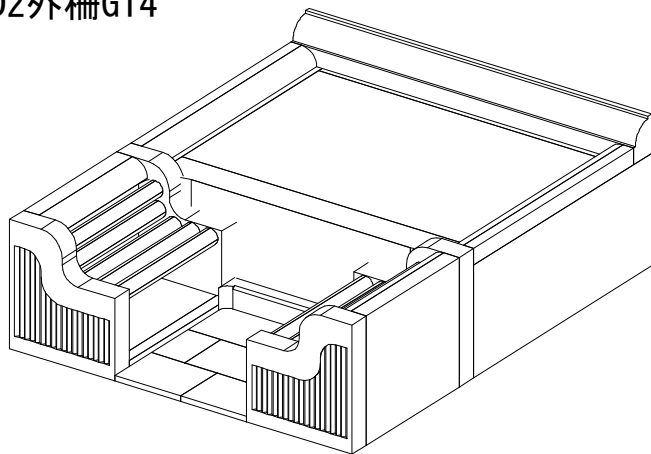
ND2外柵G03



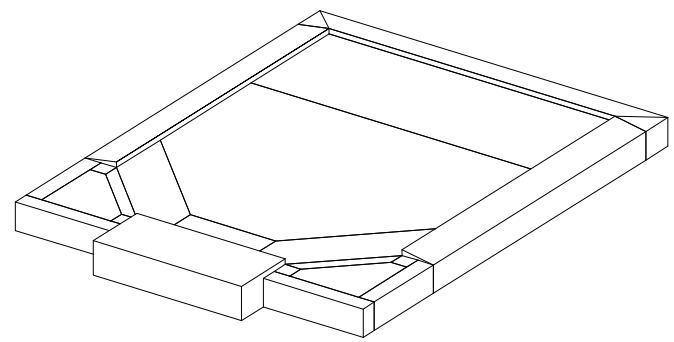
ND2外柵G08



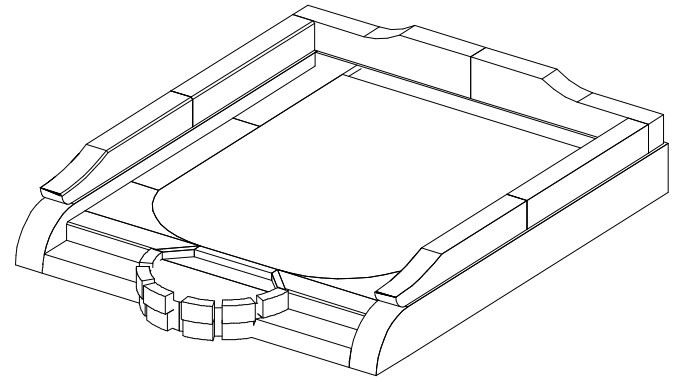
ND2外柵G14



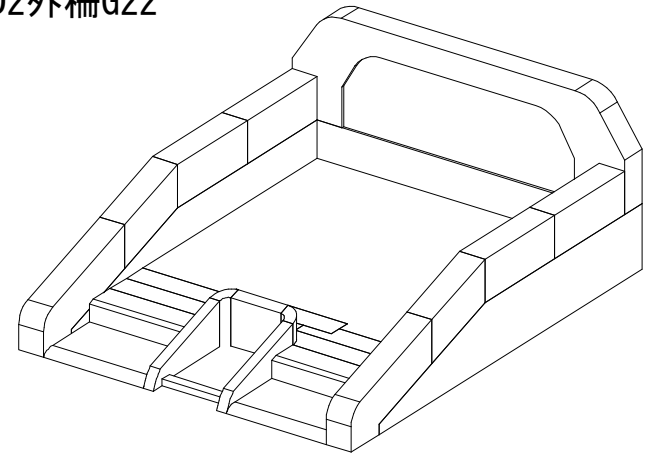
ND2外柵G19



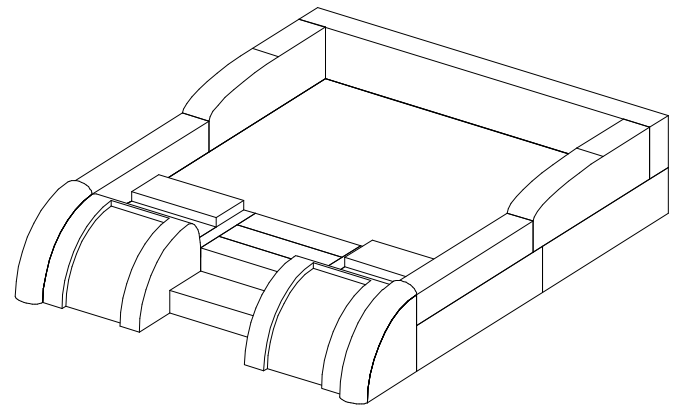
ND2外柵G21



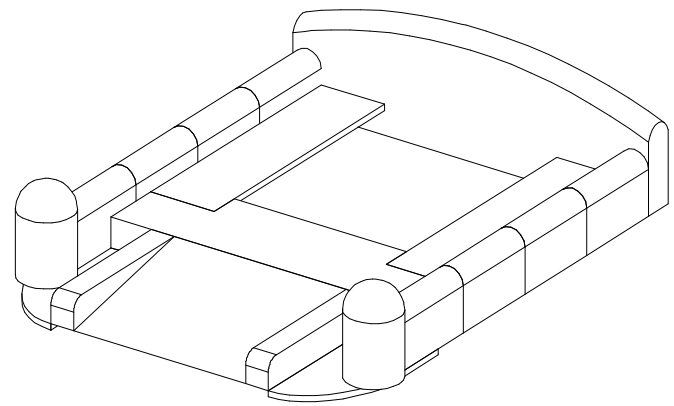
ND2外柵G22



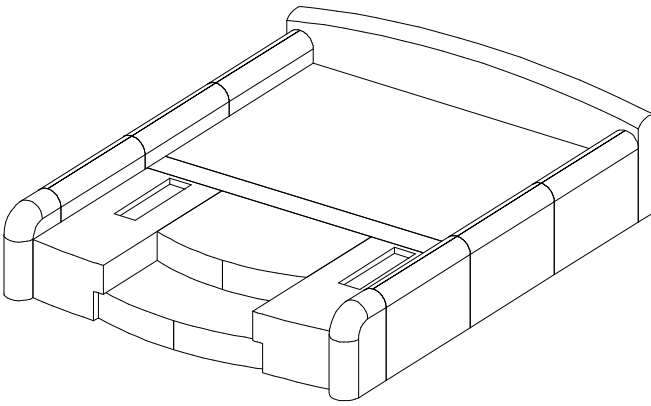
ND2外柵G23



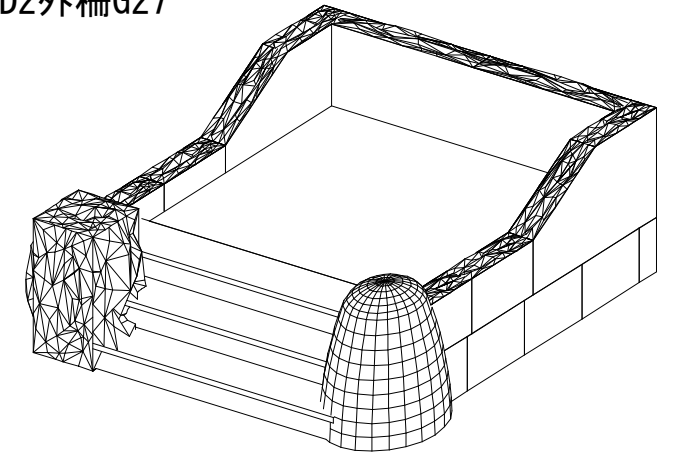
ND2外柵G25



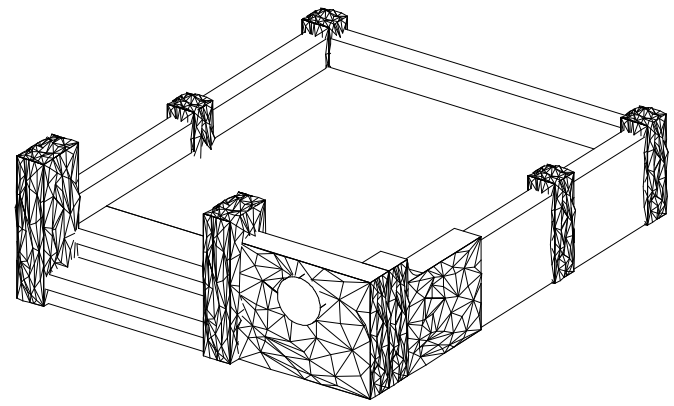
ND2外柵G26



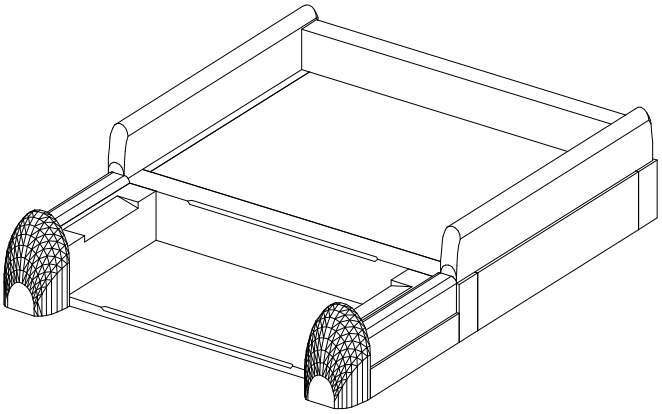
ND2外柵G27



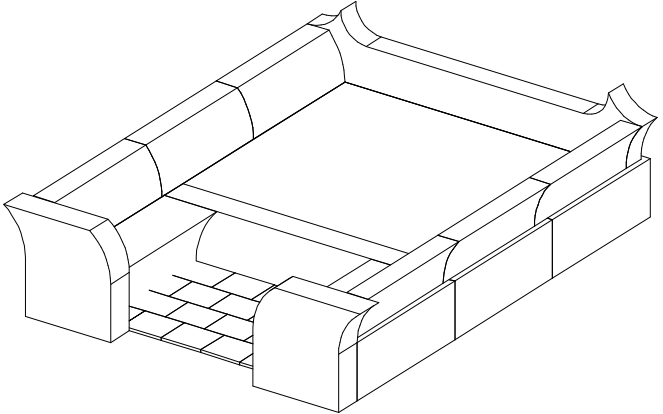
ND2外柵G28



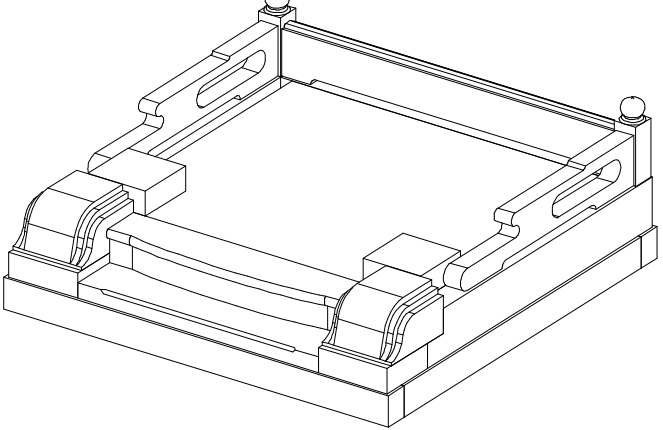
ND2外柵G29



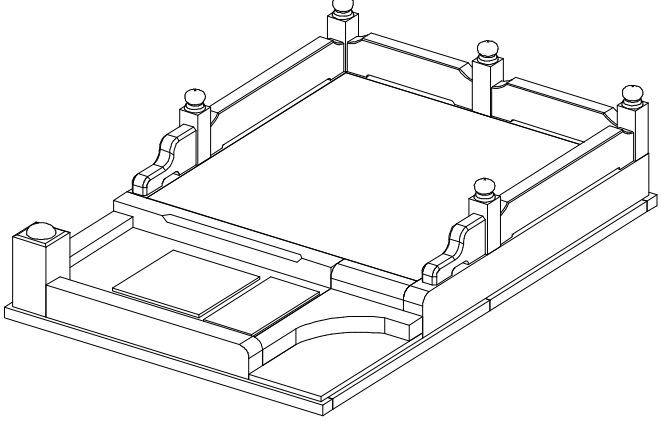
ND2外柵G30



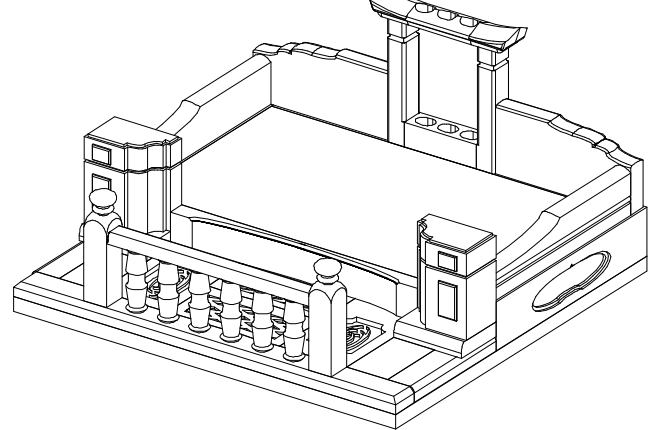
ND3外柵02



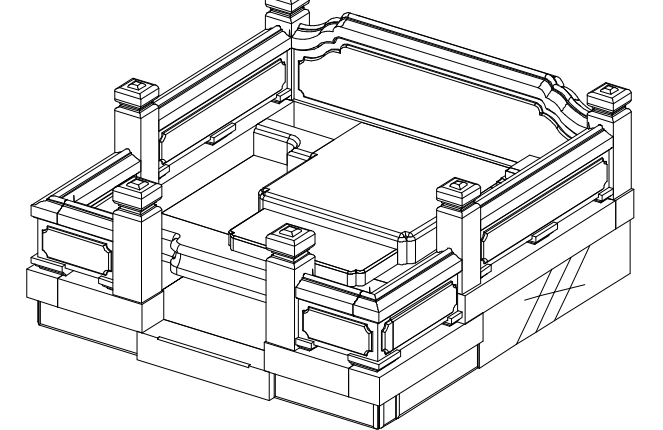
ND3外柵03



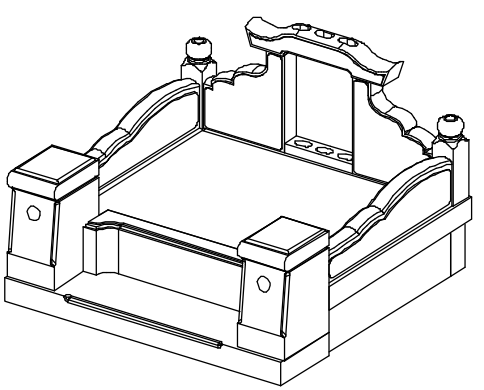
ND3外柵04



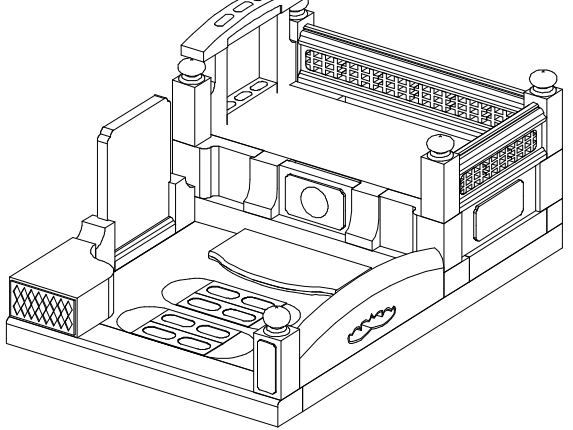
ND3外柵06



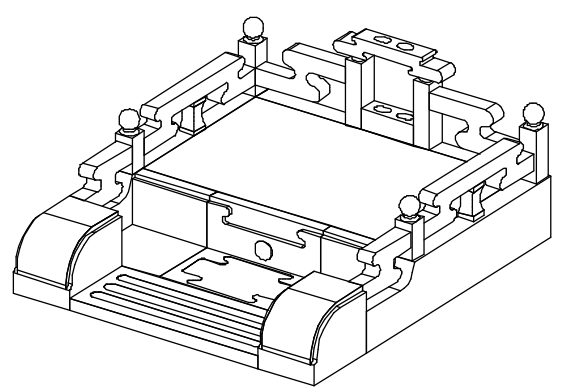
ND3外柵07



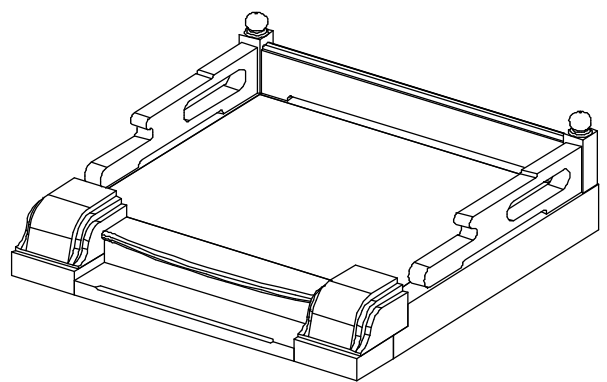
ND3外柵08



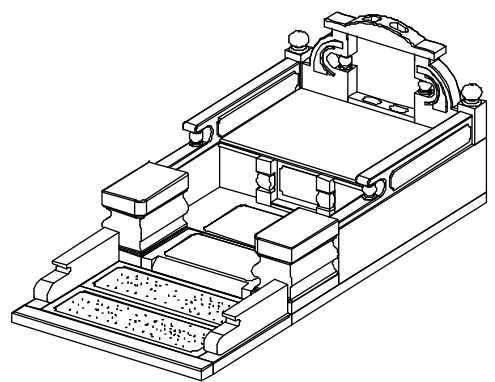
ND3外柵09



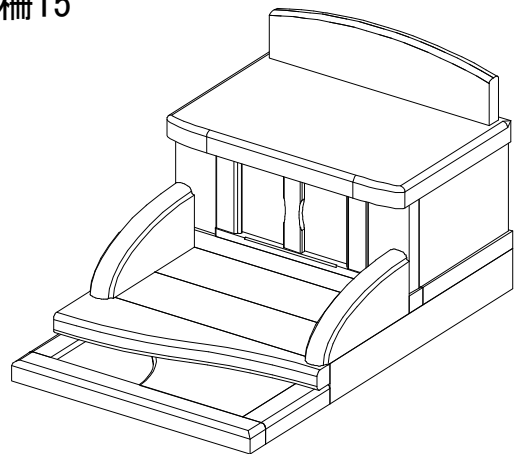
ND3外柵11



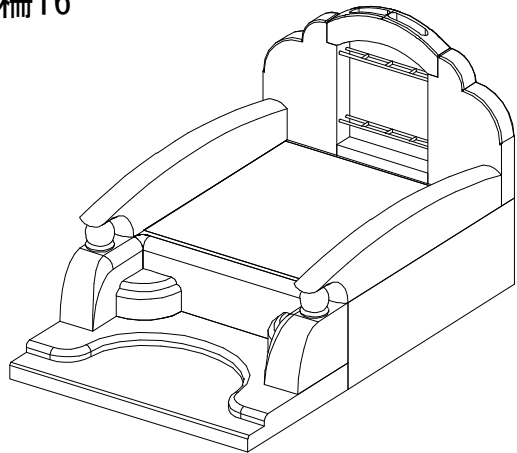
ND3外柵14



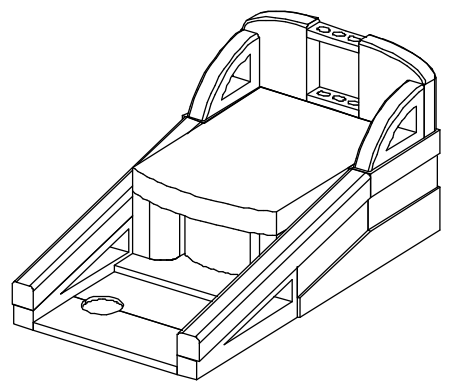
ND3外柵15



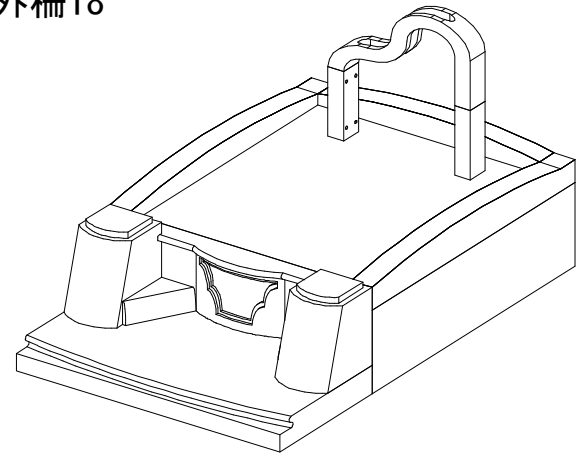
ND3外柵16



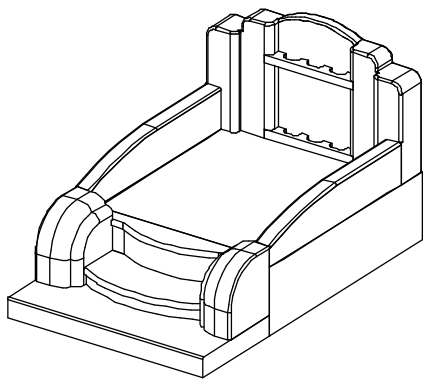
ND3外柵17



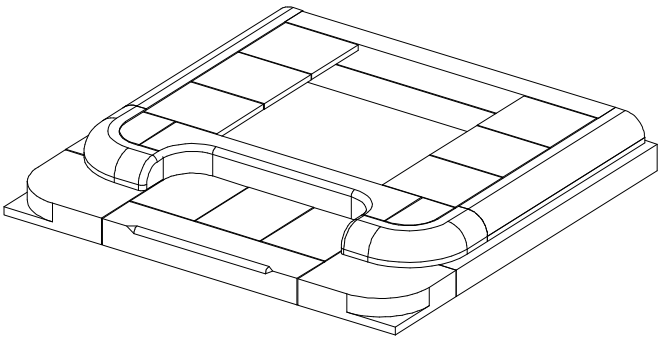
ND3外柵18



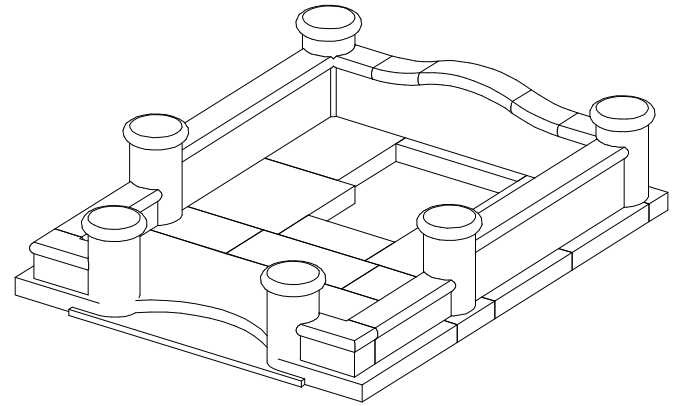
ND3外柵19



ND3外柵20

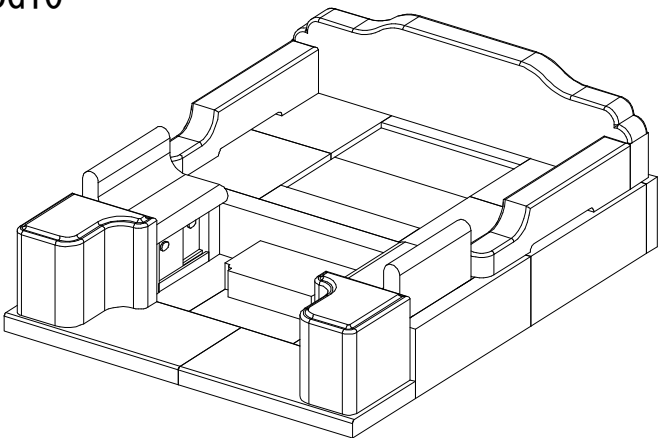


NDG1

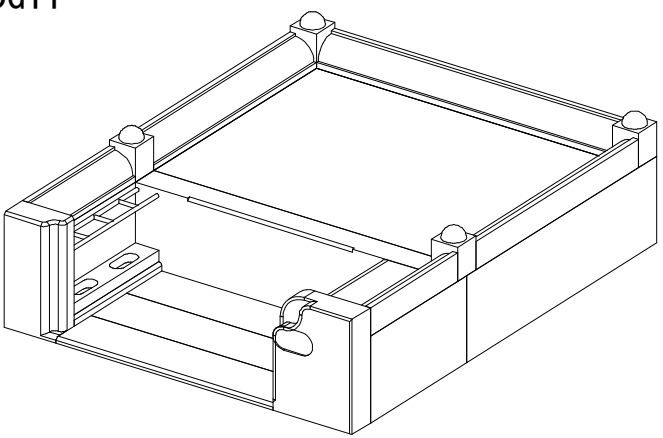




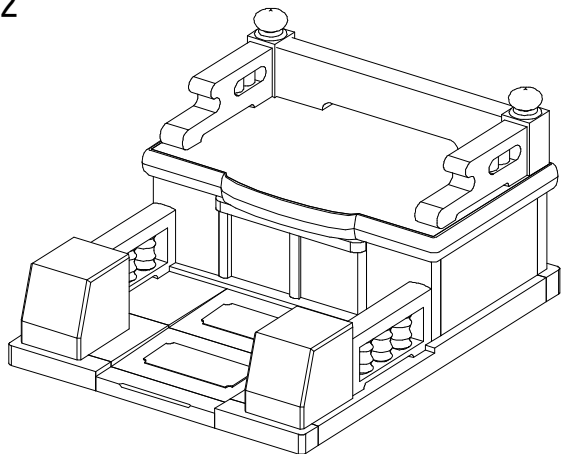
NDG10



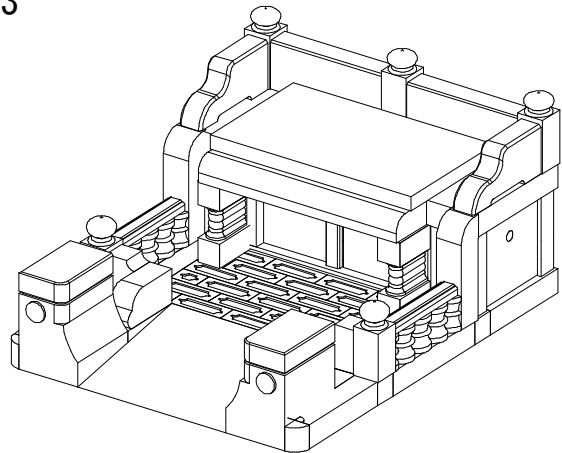
NDG11



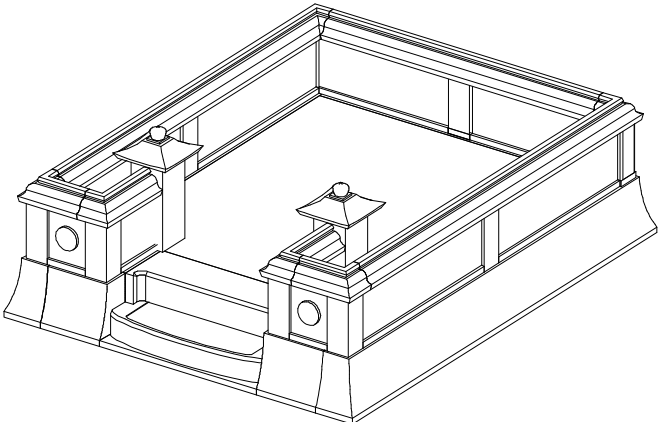
NDG12



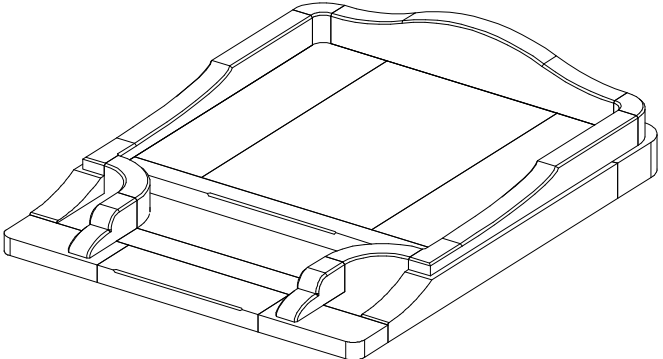
NDG13



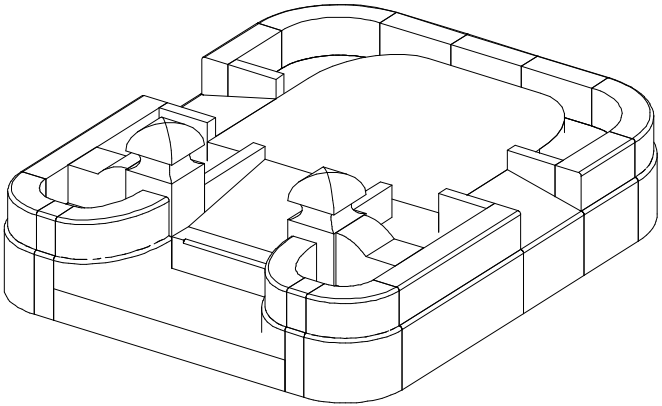
NDG14



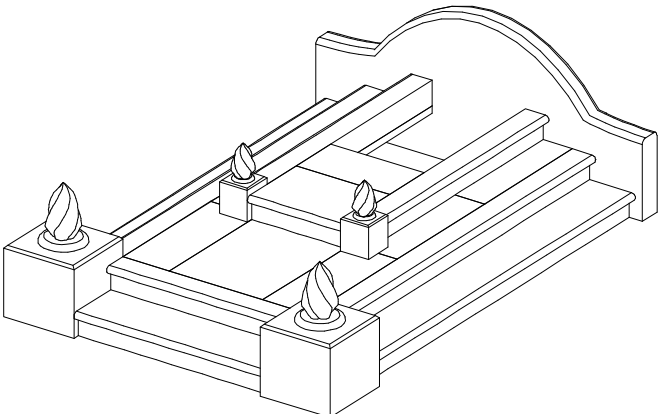
NDG15



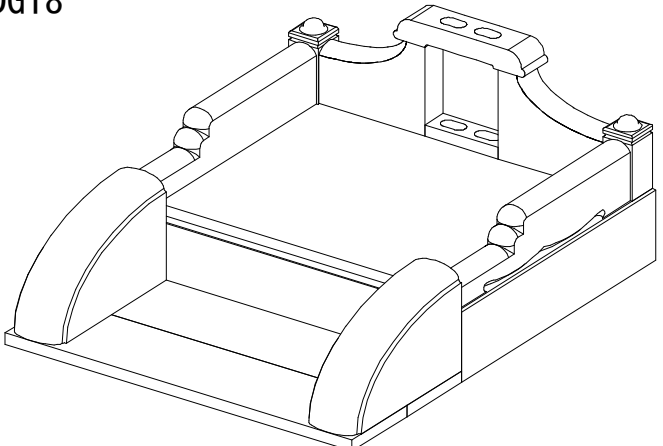
NDG16



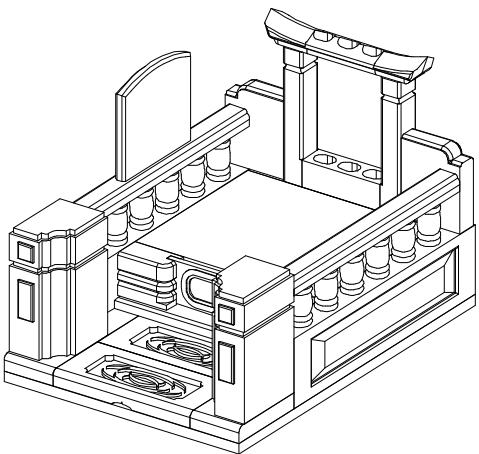
NDG17



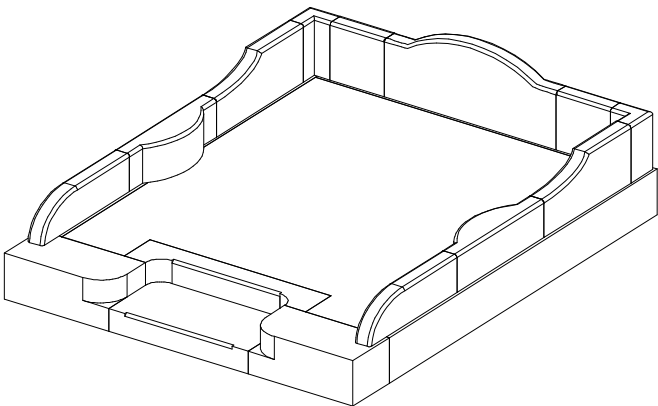
NDG18



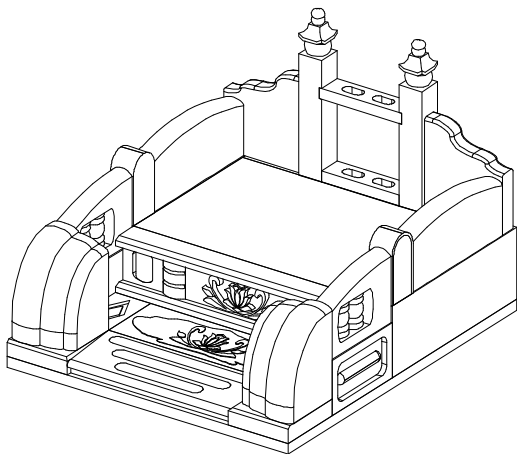
NDG19



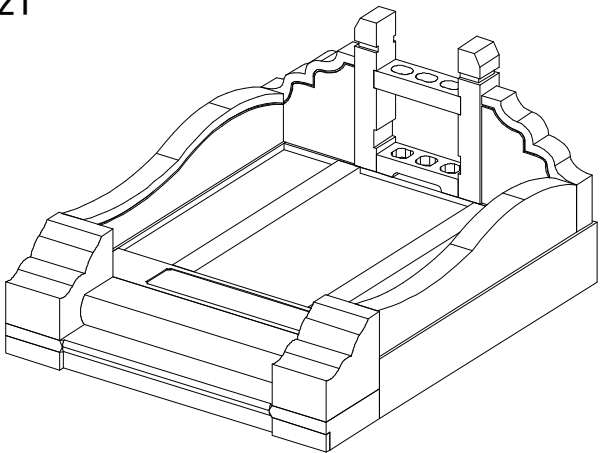
NDG2



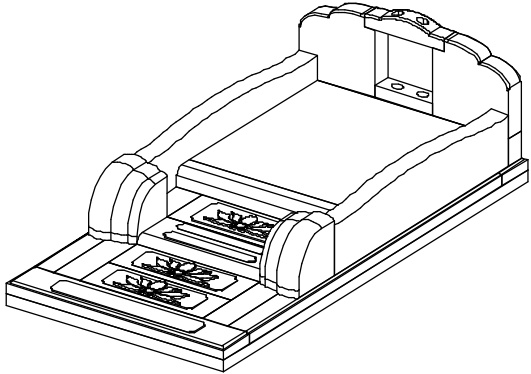
NDG20



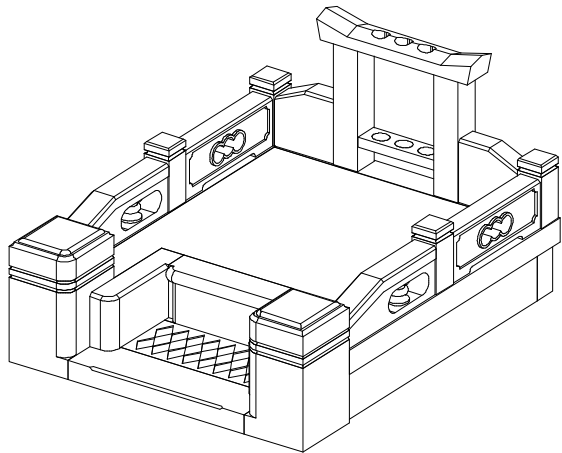
NDG21



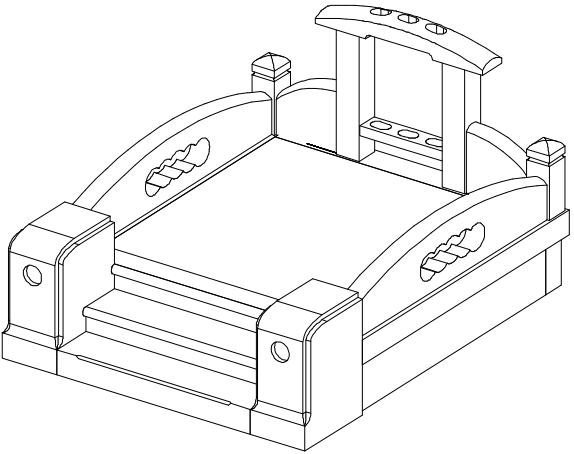
NDG22



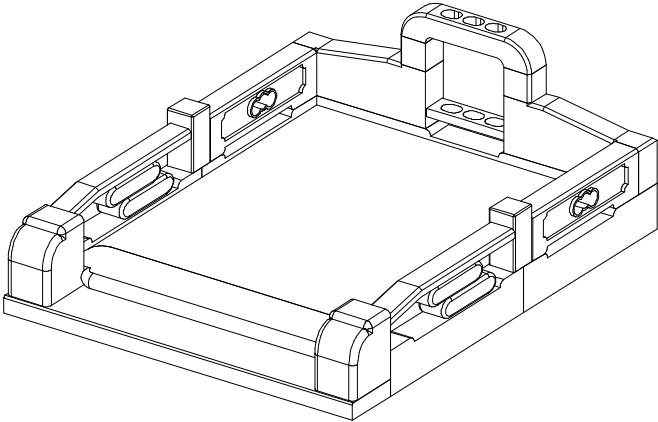
NDG4



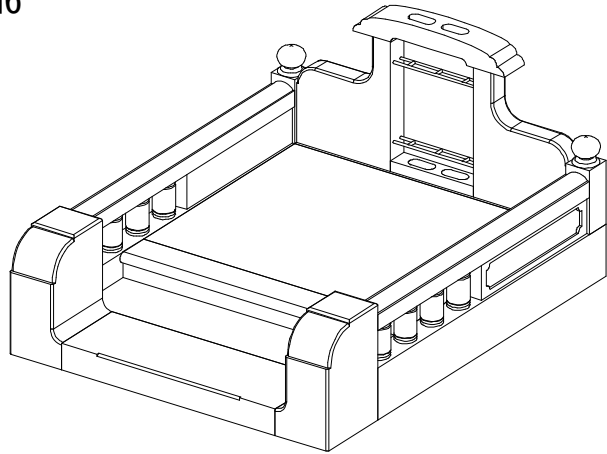
NDG4



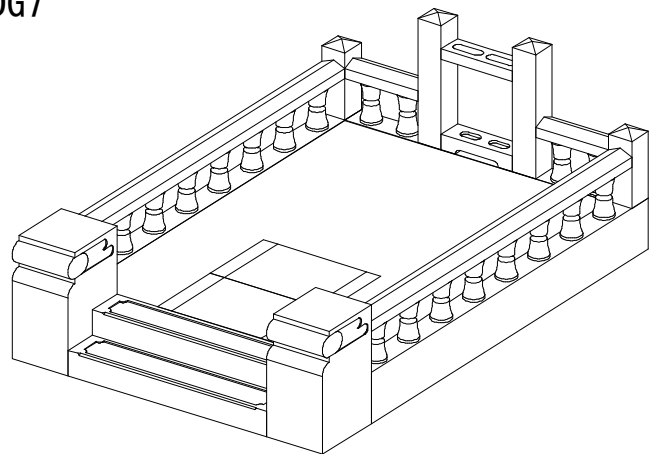
NDG5



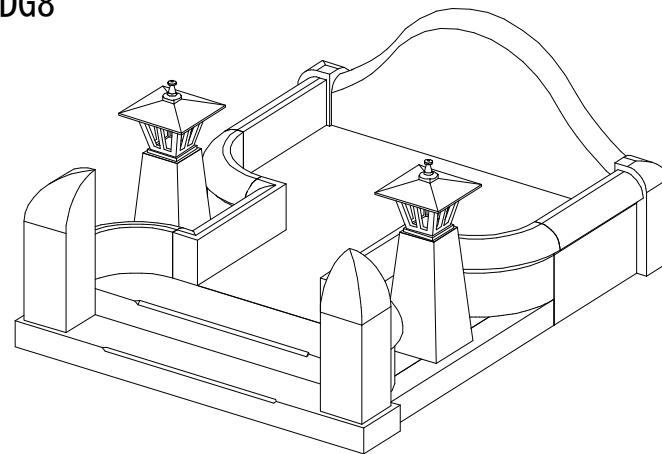
NDG6



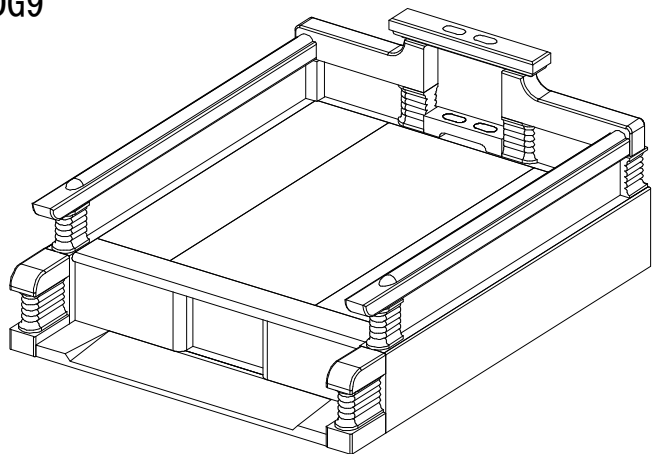
NDG7



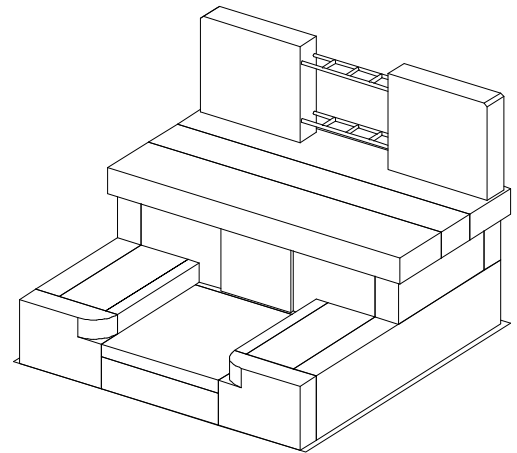
NDG8



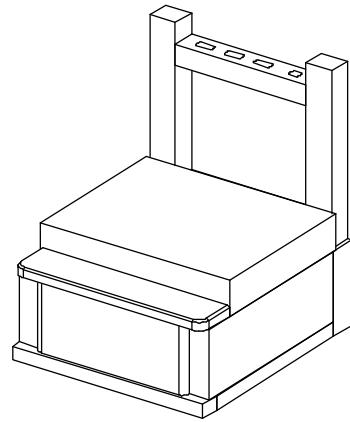
NDG9



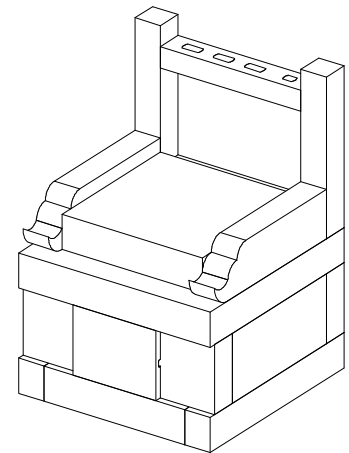
OK-6



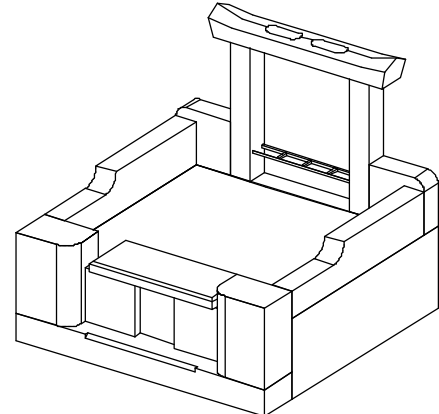
OK1



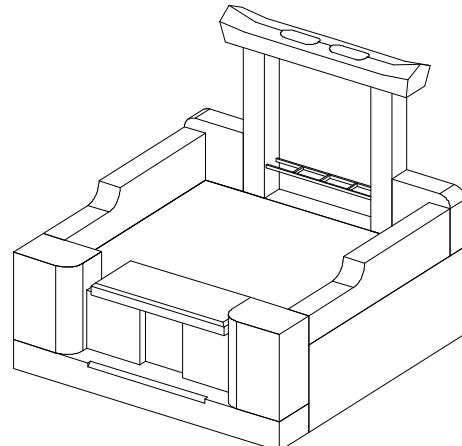
OK2



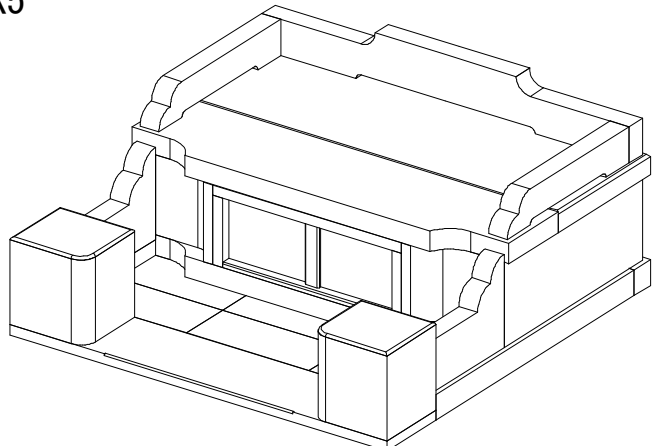
OK3



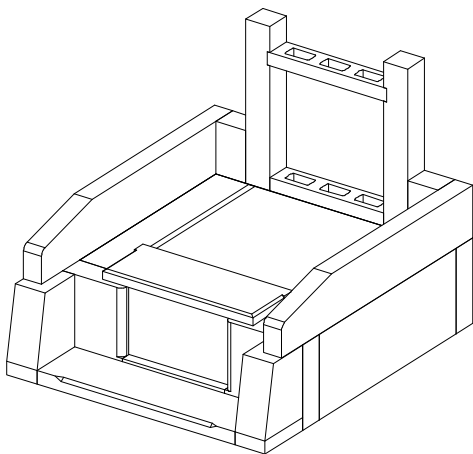
OK4



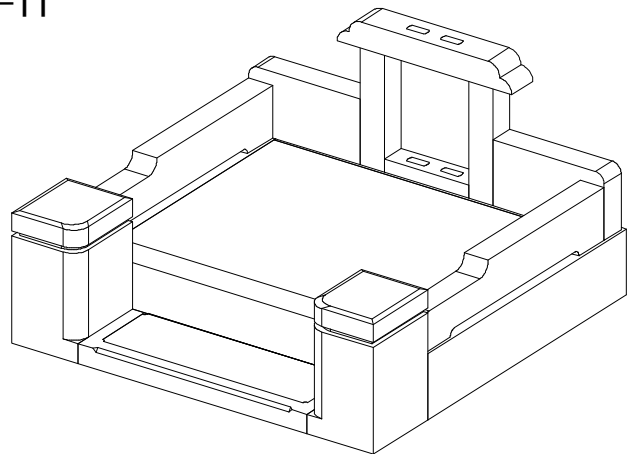
OK5



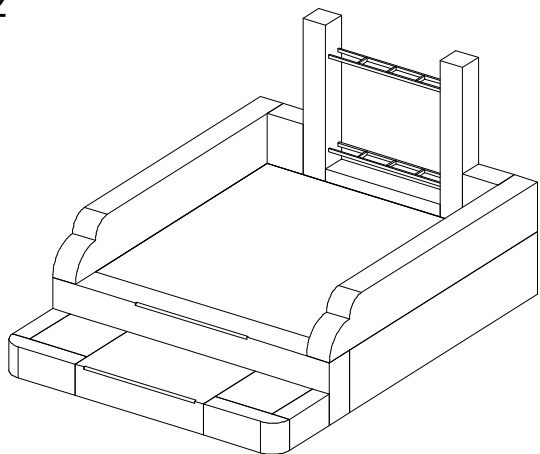
OK6



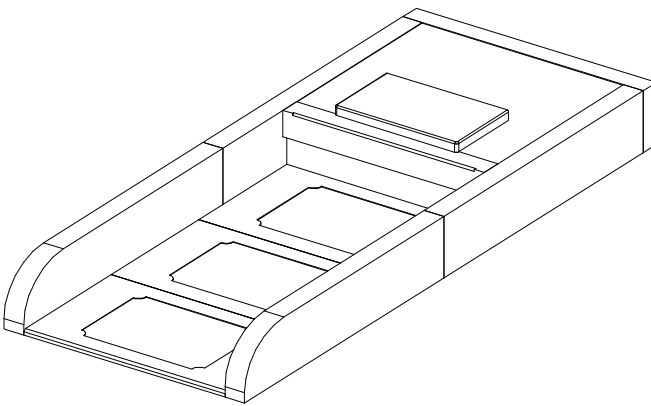
SD-11



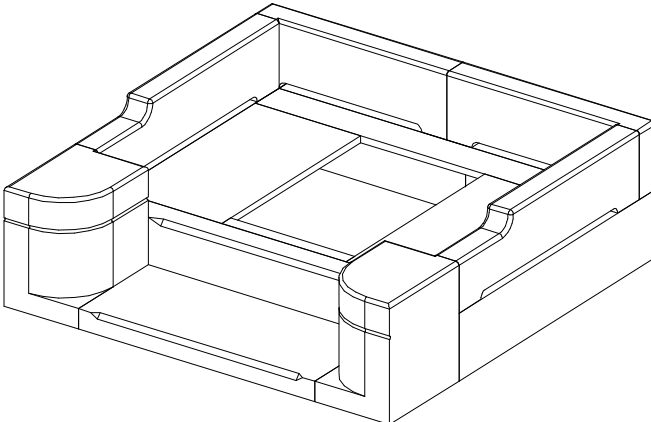
SD-12



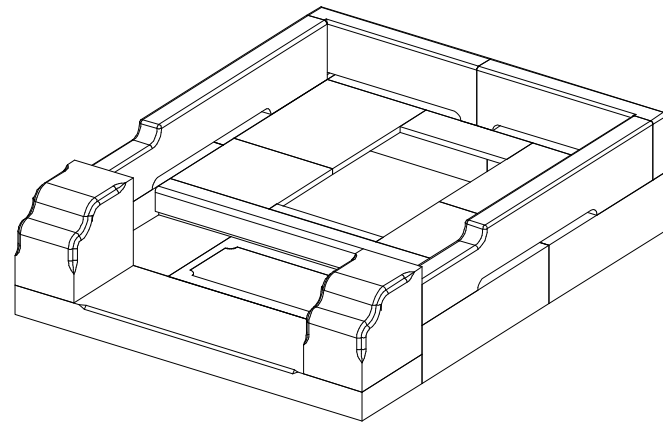
SD-13



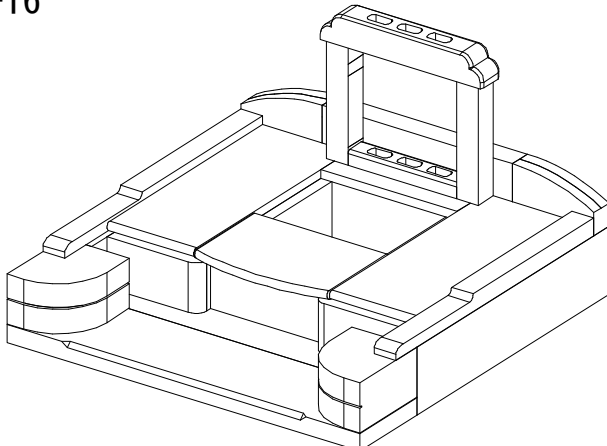
SD-14



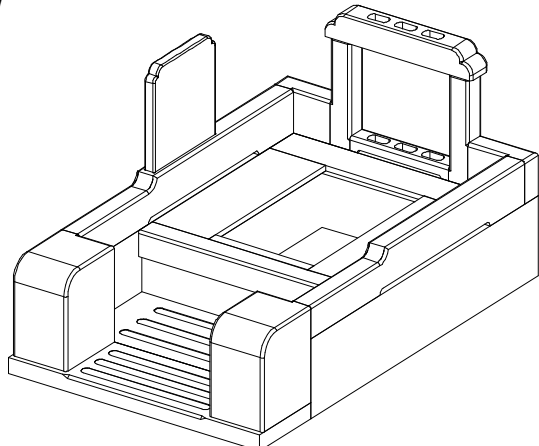
SD-15



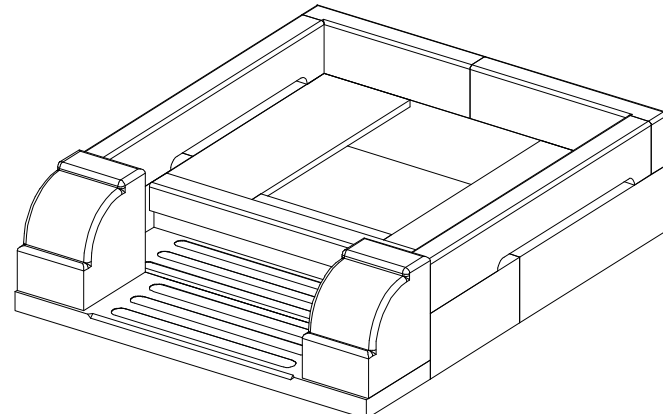
SD-16



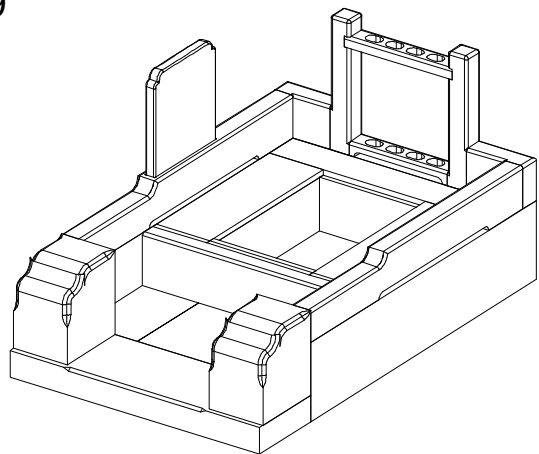
SD-17



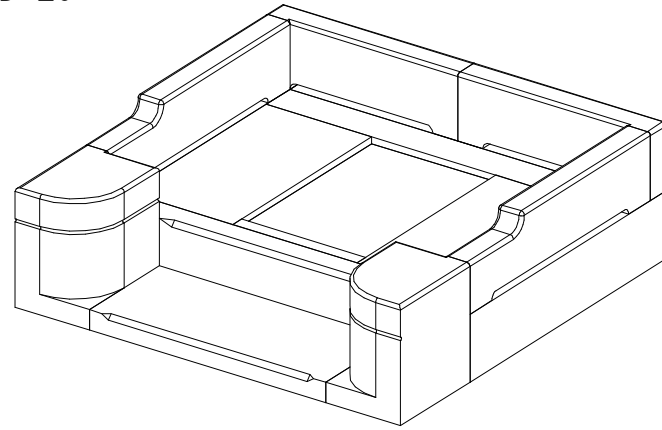
SD-18



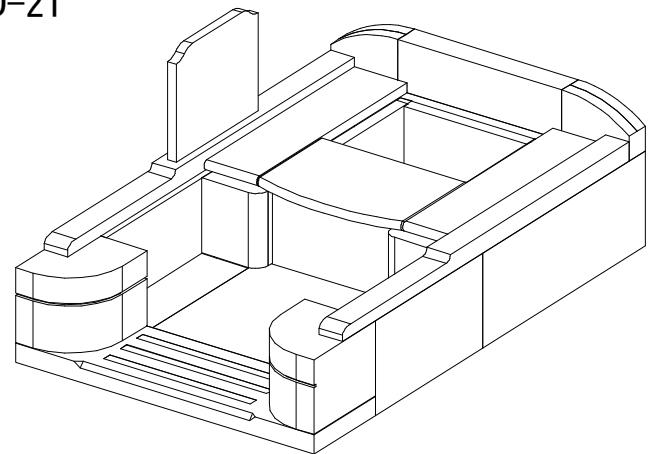
SD-19



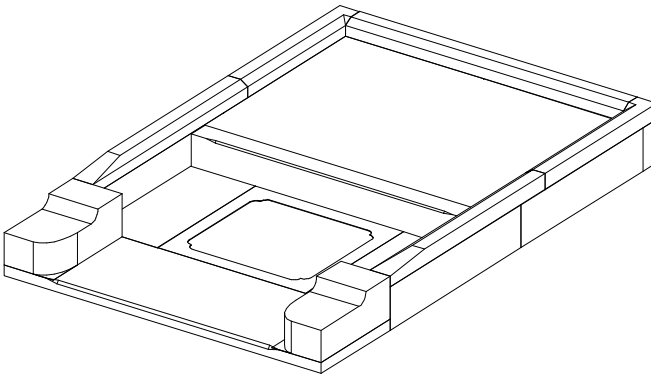
SD-20



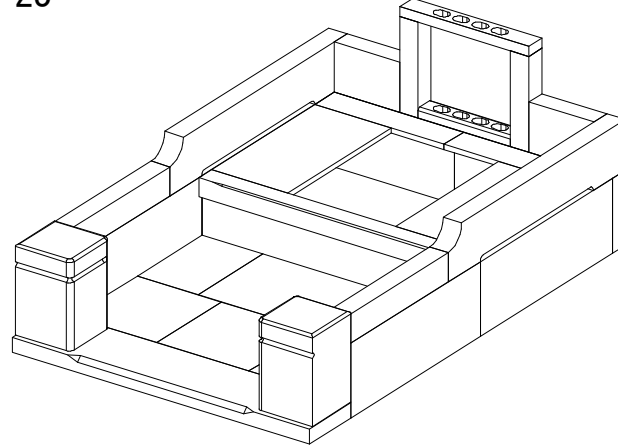
SD-21



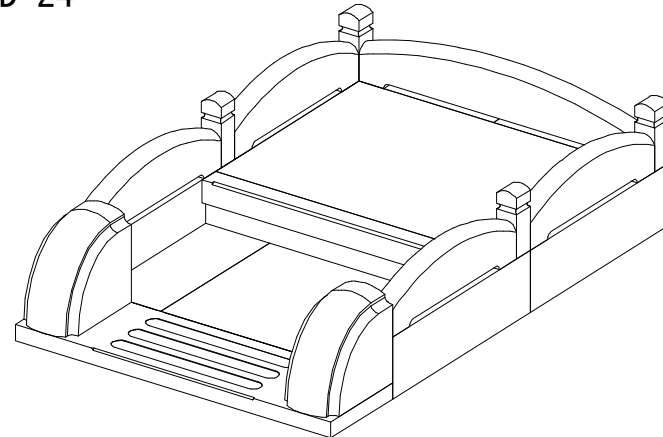
SD-22



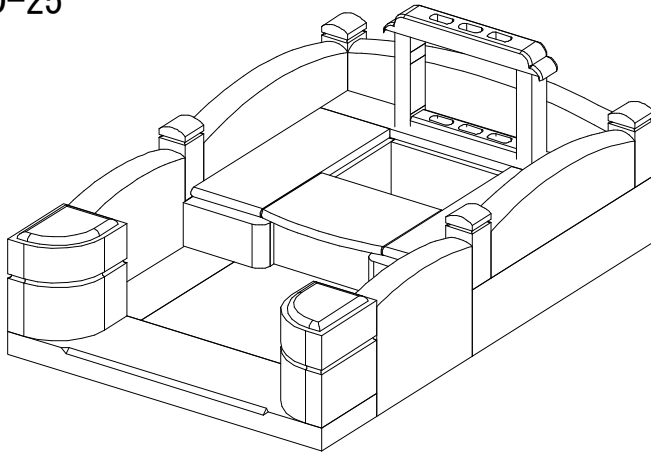
SD-23



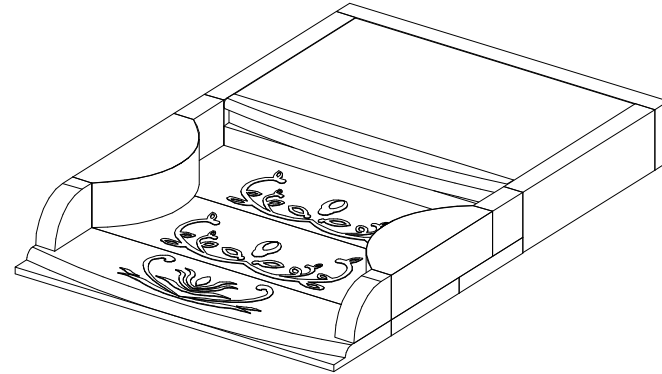
SD-24



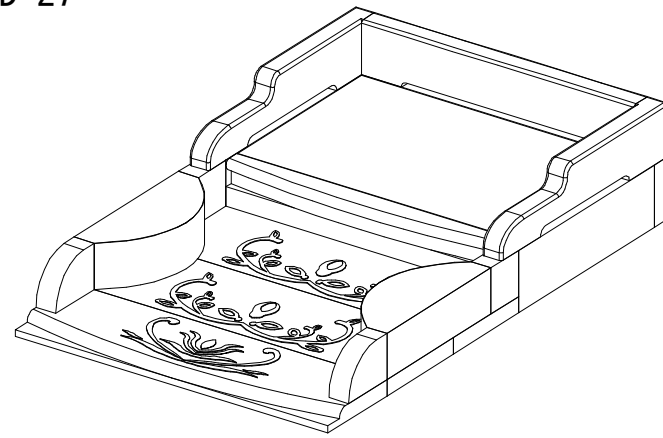
SD-25



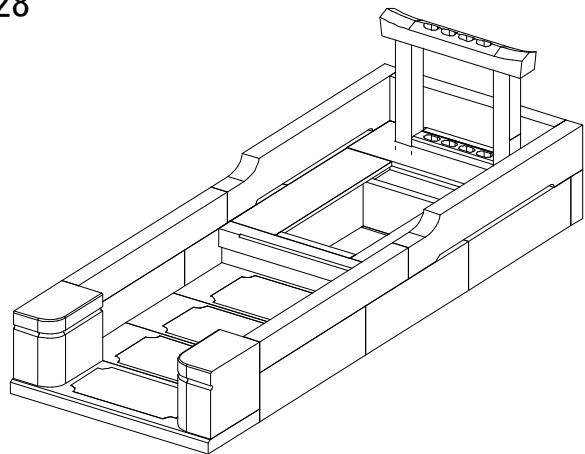
SD-26



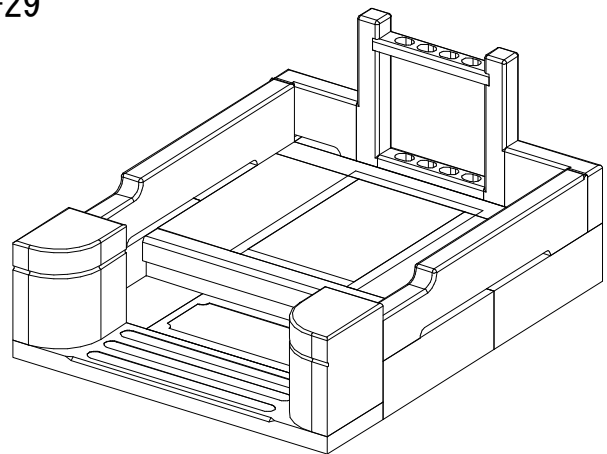
SD-27



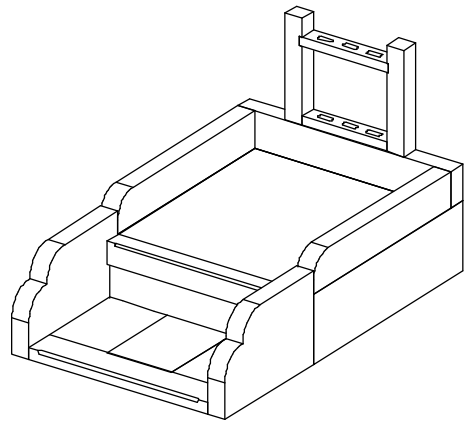
SD-28



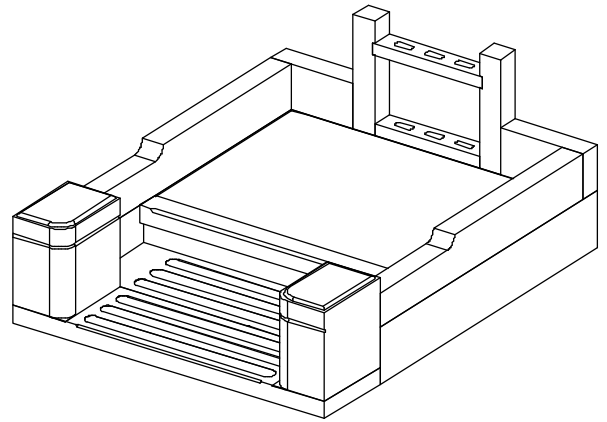
SD-29



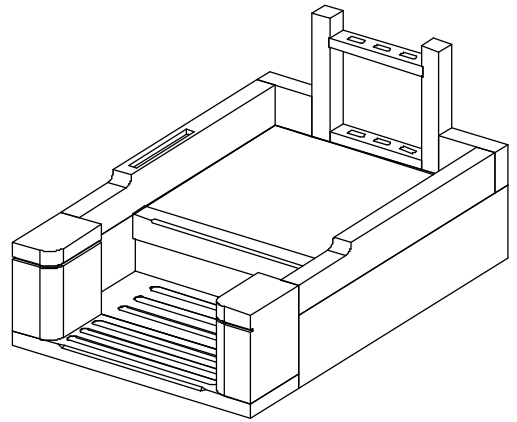
SD1



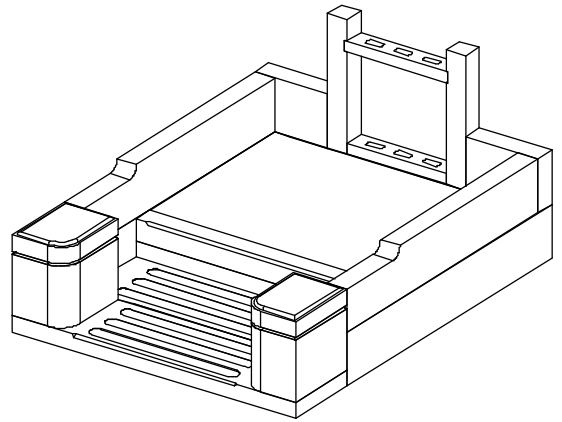
SD10



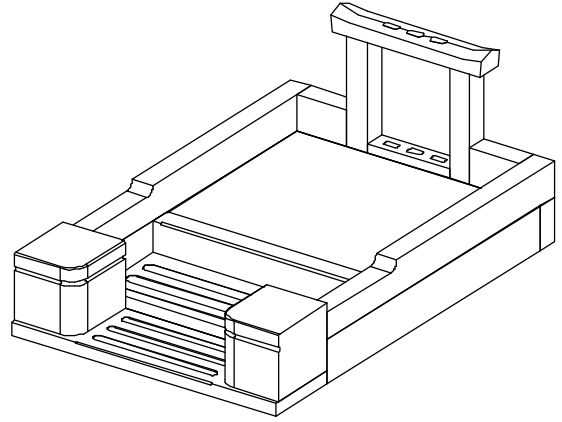
SD2



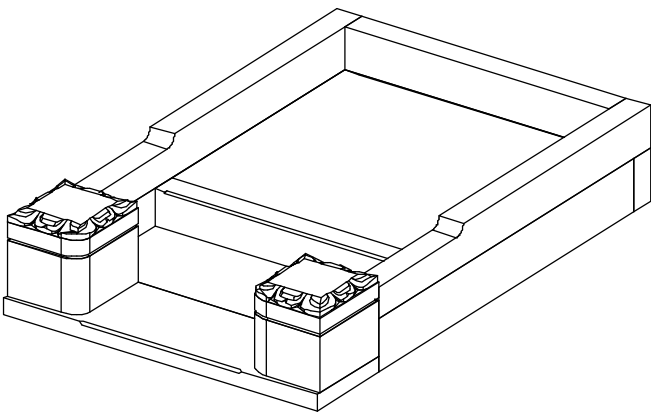
SD3



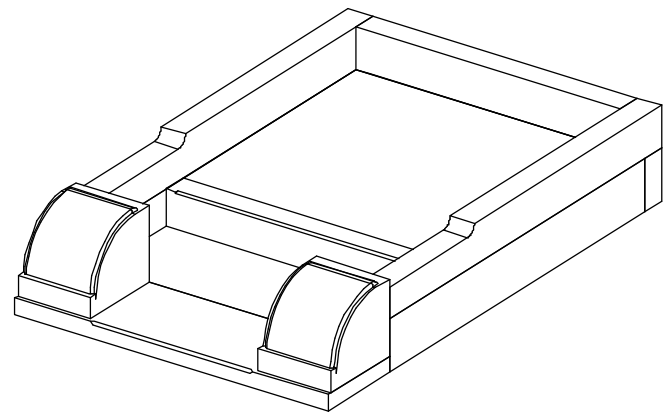
SD4



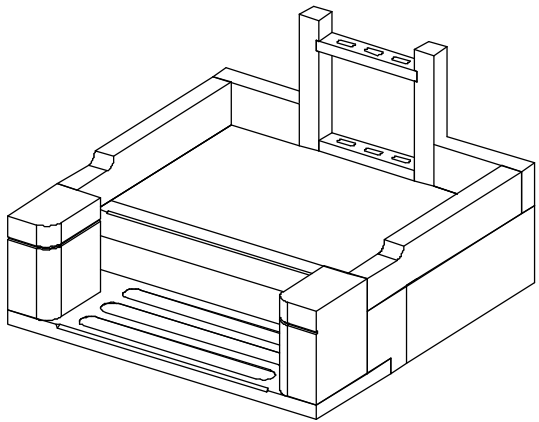
SD5



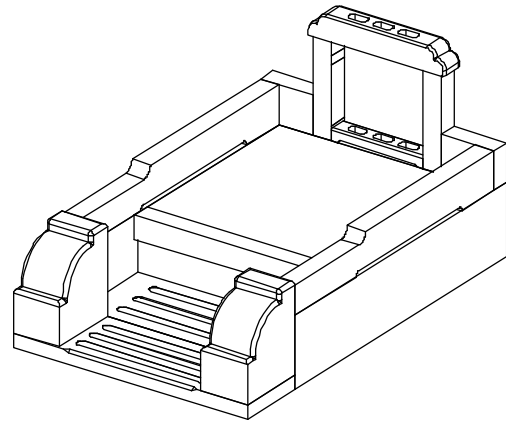
SD6



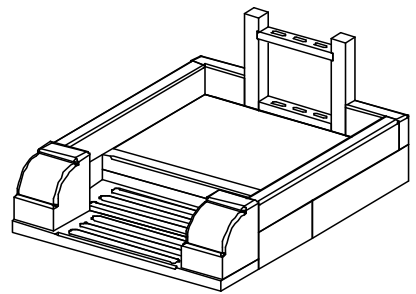
SD7



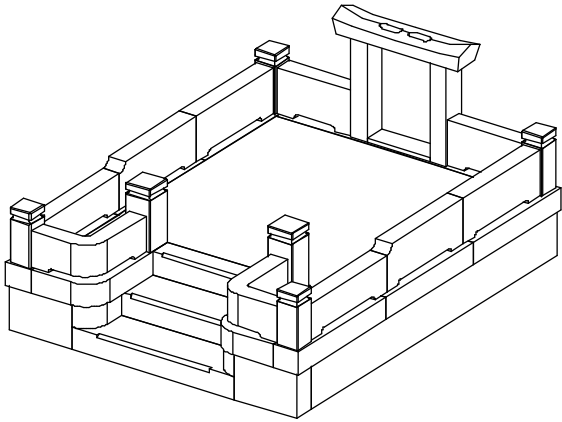
SD8



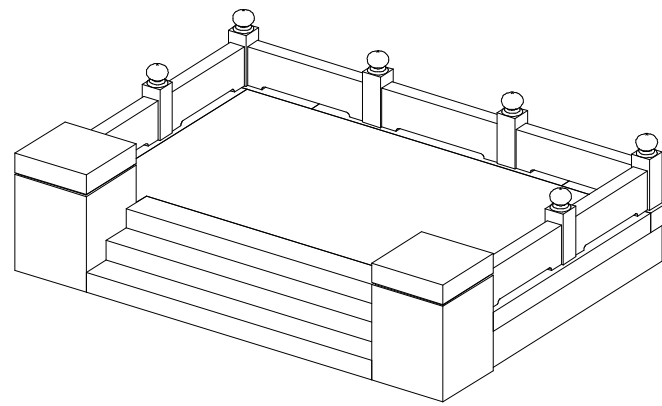
SD9



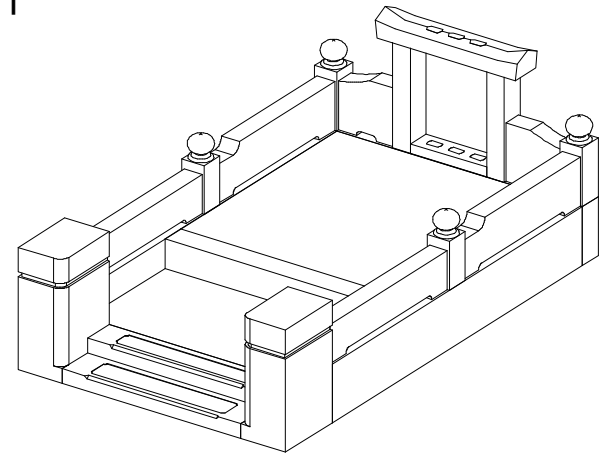
TM1



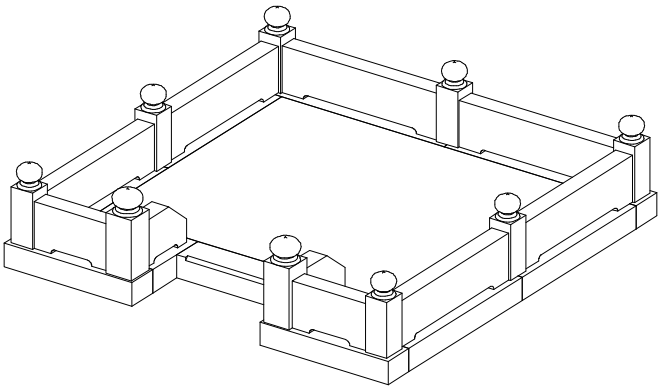
TM10



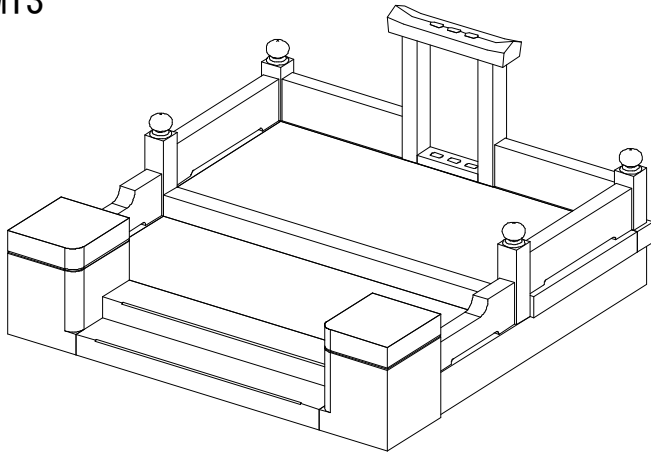
TM11



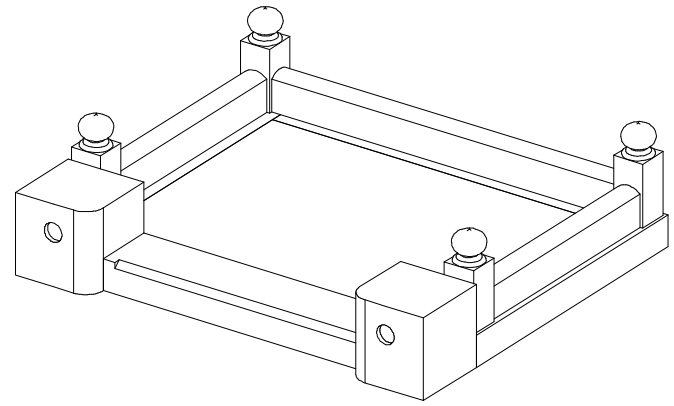
TM12



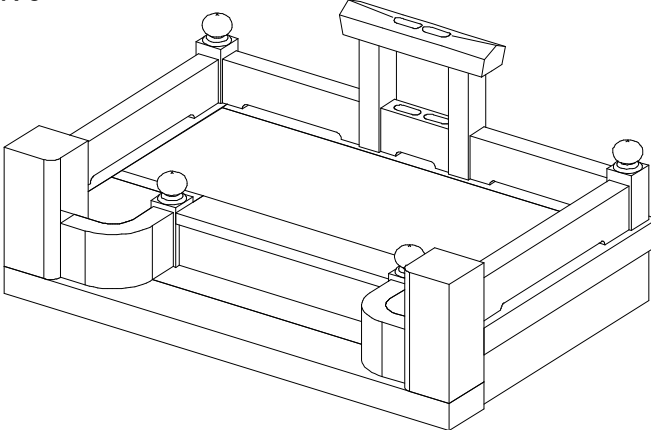
TM13



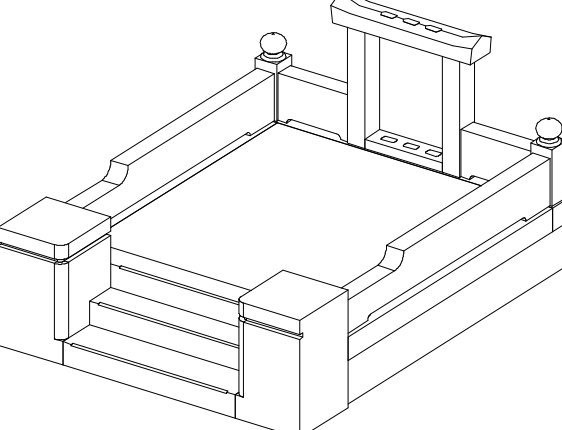
TM14



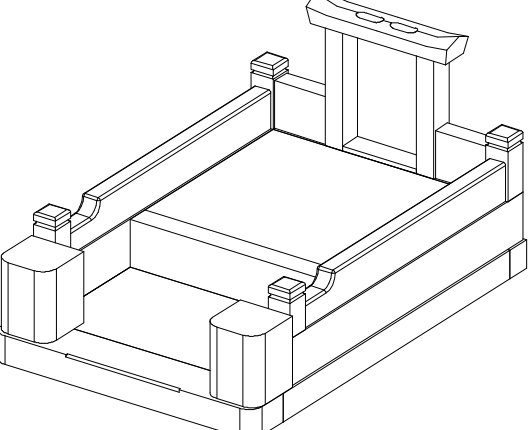
TM15



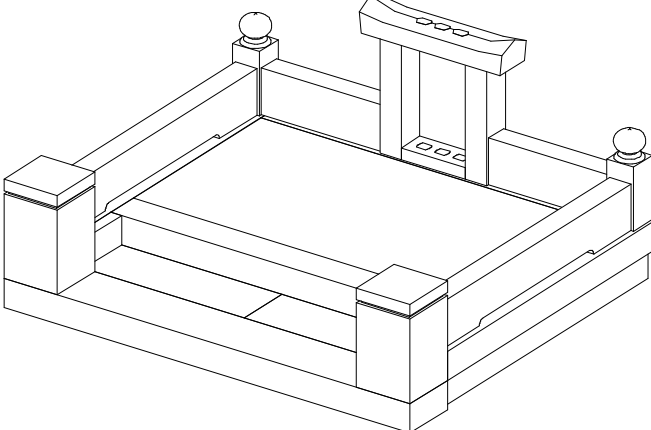
TM16



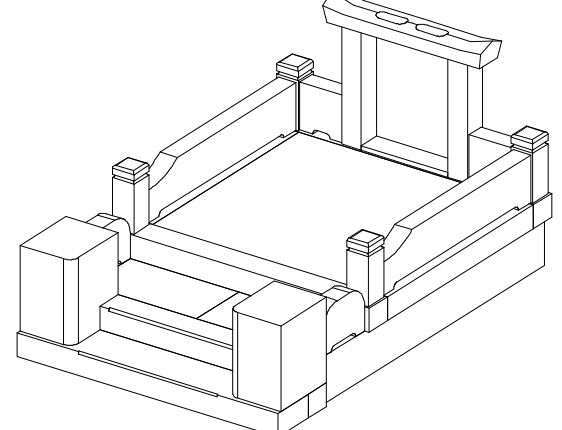
TM17



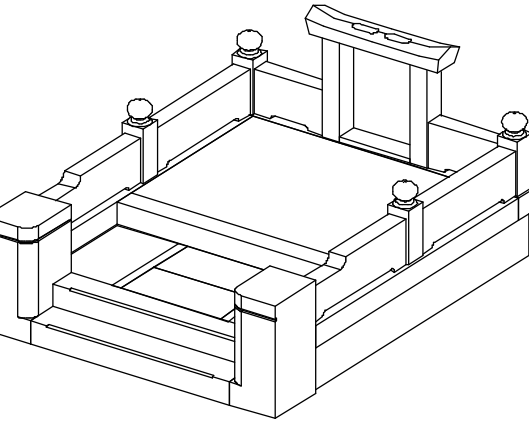
TM18



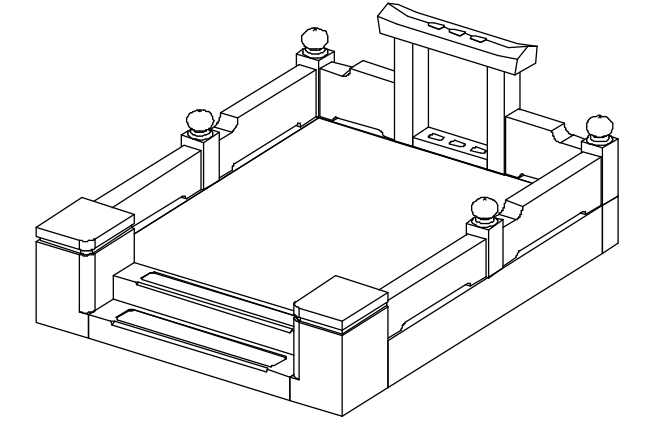
TM19



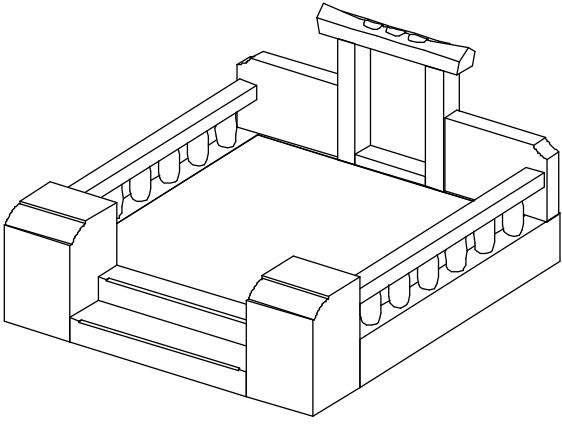
TM2



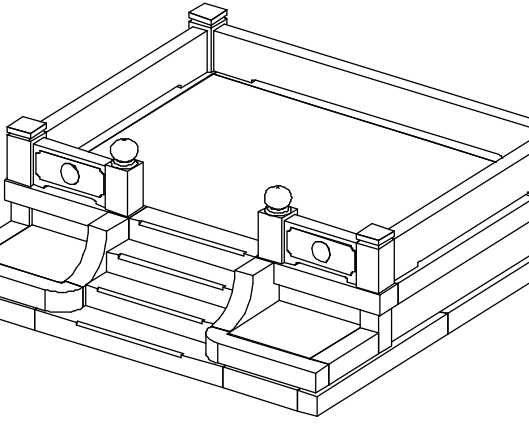
TM3



TM4

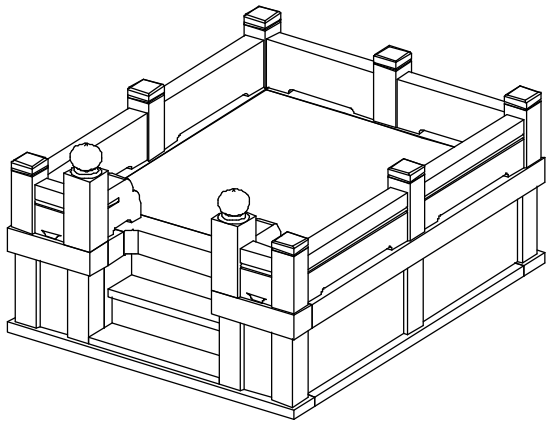


TM5

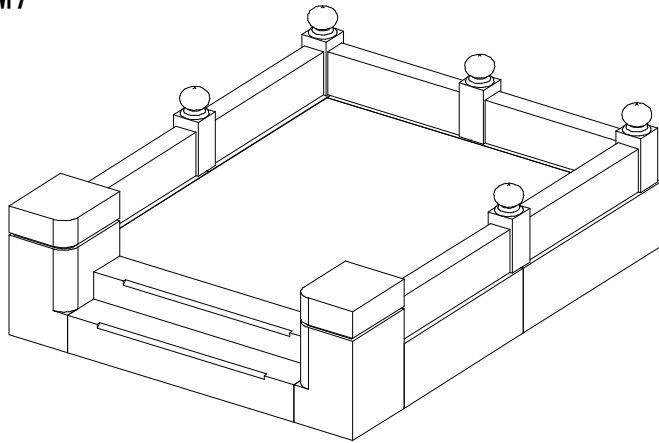




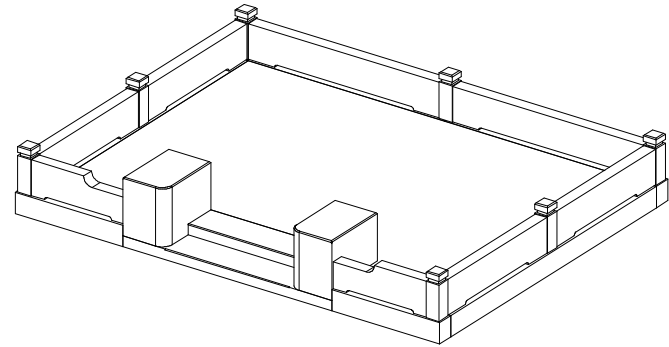
TM6



TM7



TM8



TM9

